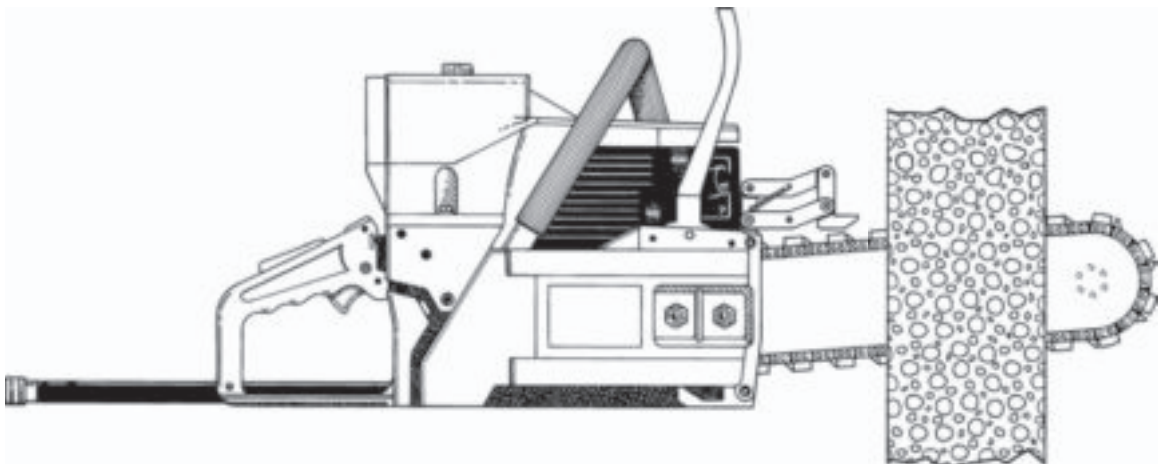




**The best way  
to cut concrete™**

## Replacement Parts & Accessories Price List

### 633GC Gas Saw



**Effective January 1, 2006**

© 2006 ICS, Blount Inc.

4909 SE International Way • Portland, OR 97222  
T: 800.321.1240 • [www.icsbestway.com](http://www.icsbestway.com) • F: 503.653.4393

# TABLE OF CONTENTS

## 633GC Gas Saw

ITEM DESCRIPTION	KEY	PAGE
Starter & Ignition Assembly	A	1
Engine & Crankshaft Assembly	B	2
Crankcase Assembly	C	3
Wallwalker & Water Delivery System	D	4
Side Cover & Clutch Assembly	E	5
Air Intake & Carburetor	F	6
Fuel Tank Assembly	G	7
Carburetor Repair Kit	H	8
Gas Service Tools		9
Notes		10

# ACCESSORIES

## 633GC Gas Saw



ICS® Diamond Chains

Part #	Description	MSRP
509934	TwinMAX-29 ES	\$255.00
71400	TwinMAX-29	\$355.00
71704	TwinMAX-29 Plus	\$455.00
71554	TwinMAX-29 Abrasive	\$425.00
71486	TwinMAX-32	\$395.00
71705	TwinMAX-32 Plus	\$505.00
71610	TwinMAX-32 Abrasive	\$475.00
71607	TwinMAX-35	\$435.00
71706	TwinMAX-35 Plus	\$555.00
71611	TwinMAX-35 Abrasive	\$525.00



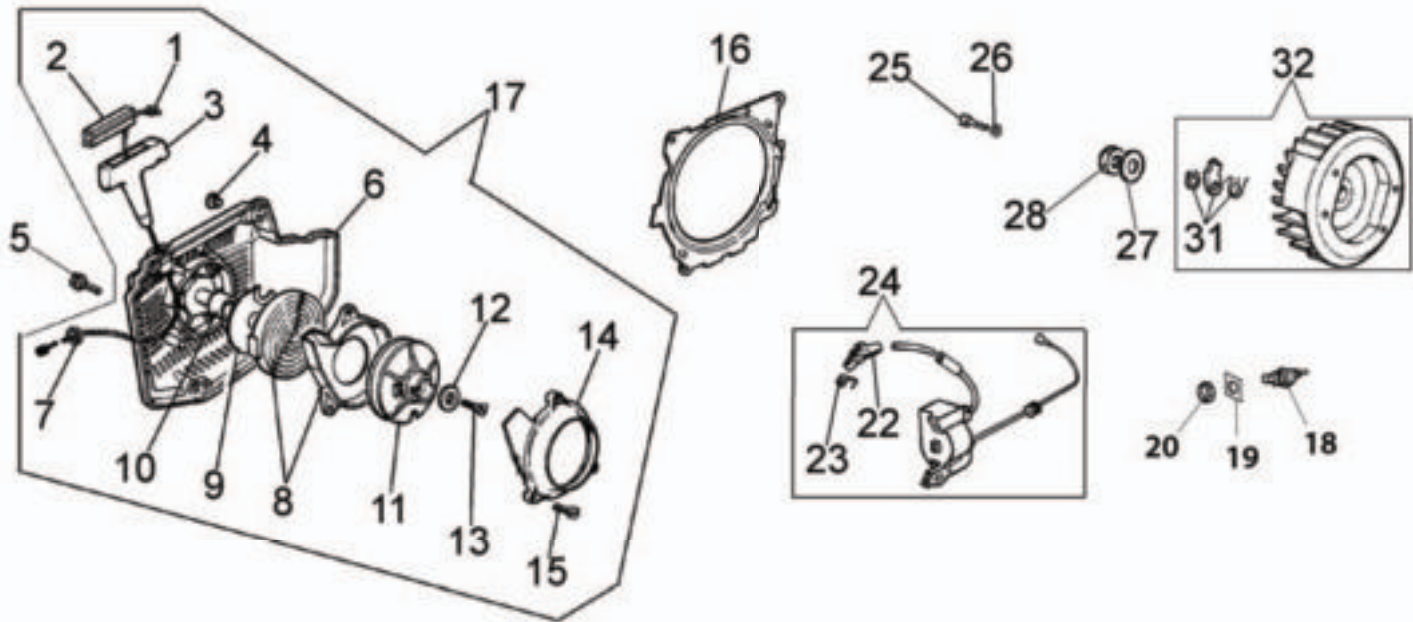
ICS® Guidebars

514196	14" Pro Guidebar (fits 633GC)	\$200.00
514197	16" Pro Guidebar (fits 633GC)	\$270.00
73600	14" Guidebar (fits 633GC)	\$165.00
71600	16" Guidebar (fits 633GC)	\$215.00

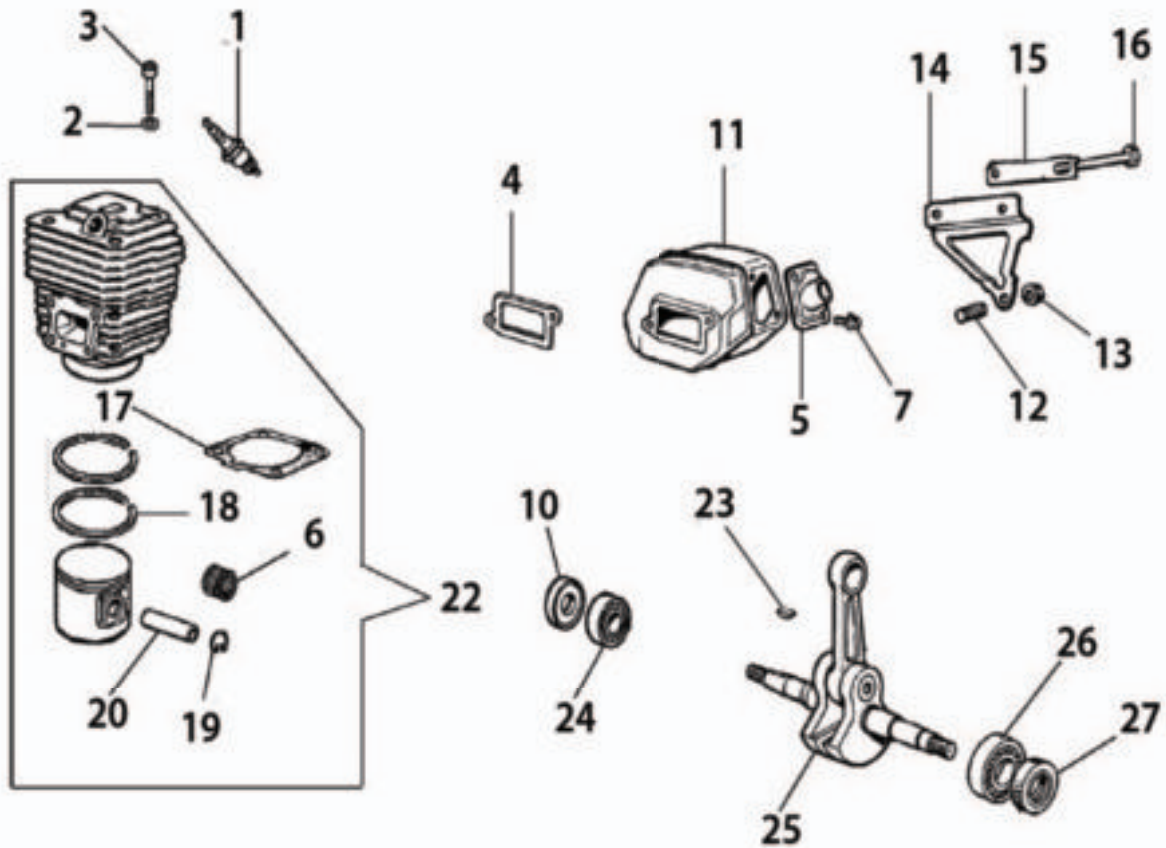


ICS® 2-Stroke Oil

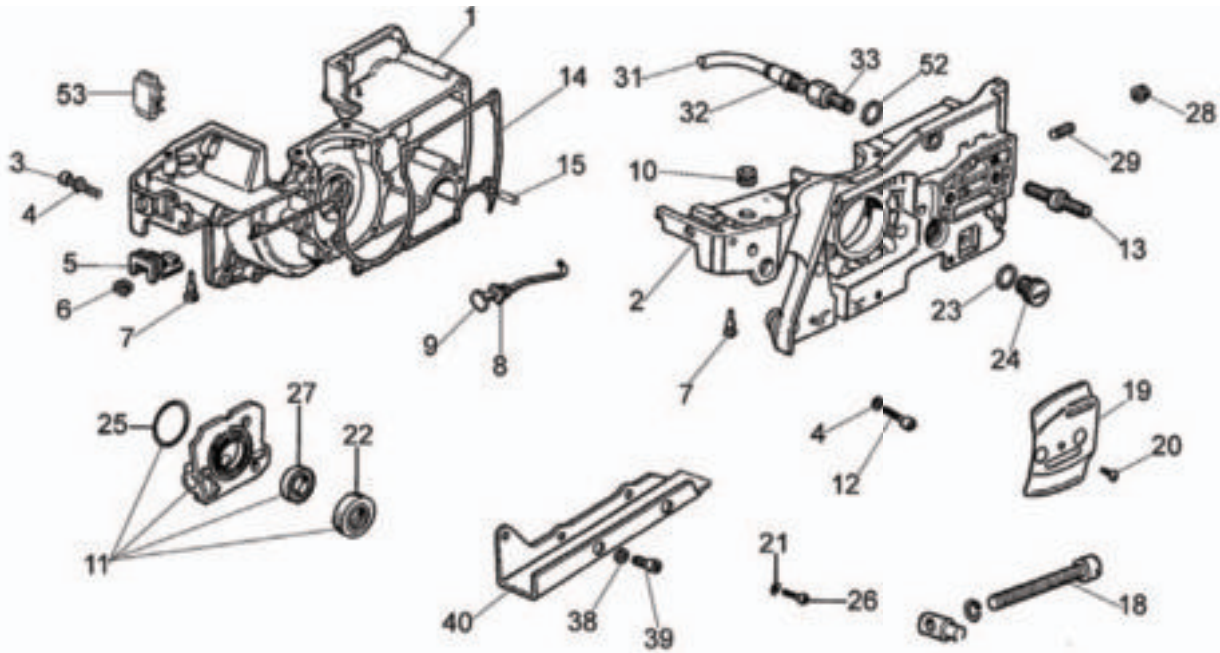
505882	2-Stroke Oil, 25:1 Mix, 5.2 oz Bottles (6-Pack)	\$10.00
505883	2-Stroke Oil, 25:1 Mix, 5.2 oz Bottles (24-Pack)	\$32.00



Key #	Part #	Description	MSRP
A01	73188	Starter Rope	\$1.60
A02	73228	Starter Coil Spring & Housing	\$1.50
A03	73189	Starter Rope Handle	\$4.00
A04	73229	Starter Housing Oil Cap	\$0.50
A05	73230	Screw	\$0.50
A06	73190	Starter Cover	\$55.00
A07	73231	Starter Rope Washer	\$0.50
A08	73191	Starter Coil Spring & Housing	\$15.00
A09	73232	Starter Spring Cover	\$3.00
A10	73192	Starter Bushing	\$1.00
A11	73193	Starter Rope Pulley	\$37.00
A12	73233	Starter Pulley Washer	\$1.50
A13	73234	Starter Pulley Screw	\$0.50
A14	73235	Starter Pulley Cover	\$4.00
A15	73236	Starter Pulley Cover Screw	\$0.50
A16	73194	Starter Cover Dust Shield	\$4.50
A17	73195	Starter Cover Assembly (Complete)	\$137.50
A18	73237	Ignition Toggle Switch	\$9.00
A19	73238	Ignition Toggle Plate On/Off	\$1.50
A20	73239	Ignition Toggle Switch Nut	\$1.50
A22	73241	Spark Plug Cap	\$8.00
A23	73242	Spark Plug Cap Spring	\$3.75
A24	73196	Ignition Coil with Spark Plug Lead & Primary	\$119.00
A25	73243	Ignition Coil Mounting Screw	\$0.50
A26	73897	Washer	\$0.50
A27	73245	Flywheel Mounting Washer	\$0.35
A28	73246	Flywheel Mounting Nut	\$0.75
A31	504386	Starter Pawl Kit (set of two)	\$6.50
A32	73433	Flywheel Assembly Replacement Kit	\$118.00



Key #	Part #	Description	MSRP
B01	73199	Spark Plug	\$2.50
B02	73250	Washer	\$0.50
B03	73251	Cylinder Block Bolt	\$0.50
B04	73434	Cylinder to Muffler Gasket	\$13.00
B05	73253	Exhaust Pipe	\$11.50
B06	73211	Wrist Pin Needle Bearing	\$15.00
B07	73254	Exhaust Pipe Mounting Screw	\$0.50
B10	73201	Crankshaft Seal Flywheel Side	\$6.50
B11	73203	Muffler Body	\$52.00
B12	73255	Muffler Support Bracket Screw	\$0.75
B13	73256	Muffler Support Bracket Nut	\$0.75
B14	73204	Muffler Support Bracket	\$4.25
B15	73257	Muffler Screw Locking Plate	\$1.00
B16	73258	Muffler Mounting Screw	\$1.00
B17	73436	Cylinder Base Gasket	\$9.50
B18	73437	Piston Ring Pair	\$5.00
B19	73259	Wrist Pin Snap Ring	\$1.00
B20	73208	Piston Wrist Pin	\$7.50
B22	73442	Complete Cylinder/Piston Assembly	\$335.00
B23	73264	Crankshaft Flywheel Woodruff Key	\$1.25
B24	73209	Crankshaft Bearing	\$12.00
B25	73443	Crankshaft Assembly	\$295.00
B26	73200	Crankshaft Bearing (Clutch side)	\$18.00
B27	73202	Crankcase Outside Seal-Clutch Side	\$6.50

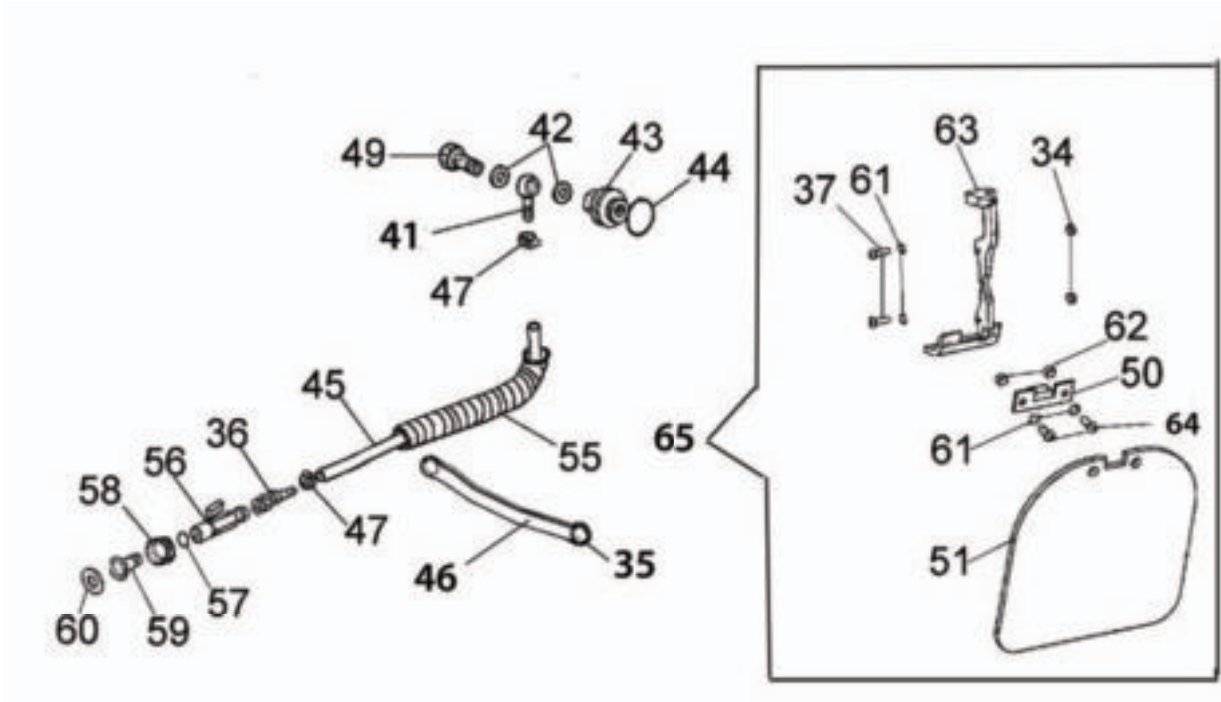


Key #	Part #	Description	MSRP
C01	73444	Crankcase Left Half	\$145.00
C02	73445	Crankcase Right Half	\$135.00
C03	73278	Bolt	\$0.50
C04	73897	Washer	\$0.50
C05	73268	Trigger Rod Grommet	\$3.00
C06	73269	Trigger Rod Bushing	\$0.35
C07	73270	Bumper, Shock Absorber, Fuel Tank Top	\$2.00
C08	73389	Choke Lever Grommet	\$1.50
C09	73213	Choke Lever	\$3.00
C10	73390	Fuel Line Grommet (Crankcase)	\$1.35
C11	73446	Main Bearing Seal Housing Assembly-Clutch Side	\$55.00
C12	73275	Screw	\$0.50
C13	73280	Bar Mounting Stud	\$3.50
C14	73447	Crankcase Gasket	\$14.75
C15	73281	Crankcase Dowel Pin	\$0.50
C18	73935	Premium Tensioner Kit	\$10.50
C19	73225	Bar Mount Pad Cover Plate	\$7.00
C20	73284	Screw	\$0.50
C21	73285	Washer	\$0.50
C22	73202	Crankcase Outside Seal-Clutch Side	\$6.50
C23	73391	Crankcase Plug O-Ring	\$0.35
C24	73286	Crankcase Plug	\$4.50
C25	73287	Seal Housing O-Ring	\$0.75
C26	73288	Seal Housing Mounting Screw (3)	\$0.50
C27	73289	Clutch Side Main Bearing Seal-Inside	\$4.35
C31	73384	Water Tube (in Tank)	\$6.00
C32	73385	Water Tube Fitting	\$15.00
C33	73386	Tube Fitting-Backside Bar Mount	\$13.25
C38	73396	Cover Guard Mounting Washer	\$0.35
C39	73397	Cover Guard Mounting Bolt	\$0.50
C40	73398	Cover Guard	\$39.00
C52	71468	Water Hose O-Ring	\$0.50
C53	504389	633GC Plastic Cap	\$1.00

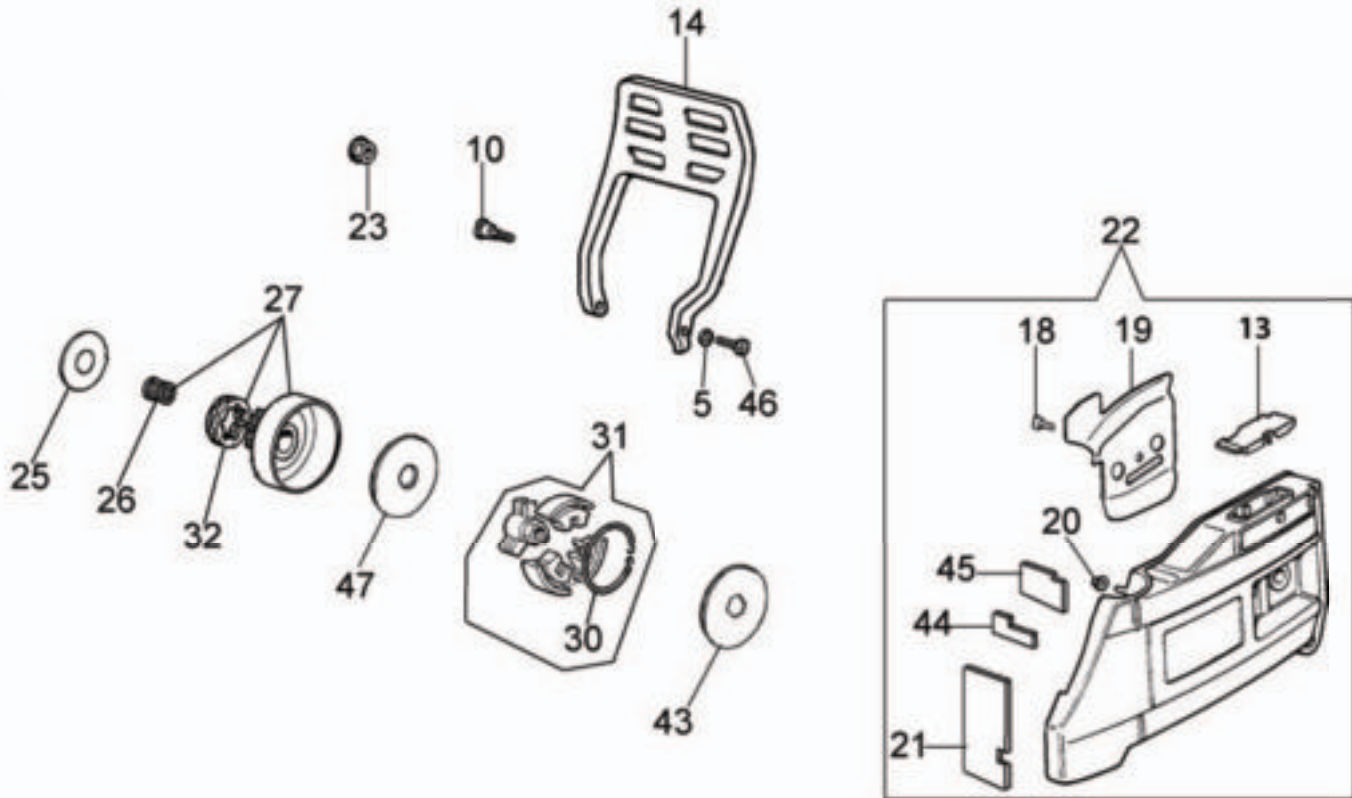
© 2006 ICS, Blount International Inc.

Supersedes all previous pricing. Specifications and pricing are subject to change without notice.

T: 800.321.1240 • www.icsbestway.com • F: 503.653.4393

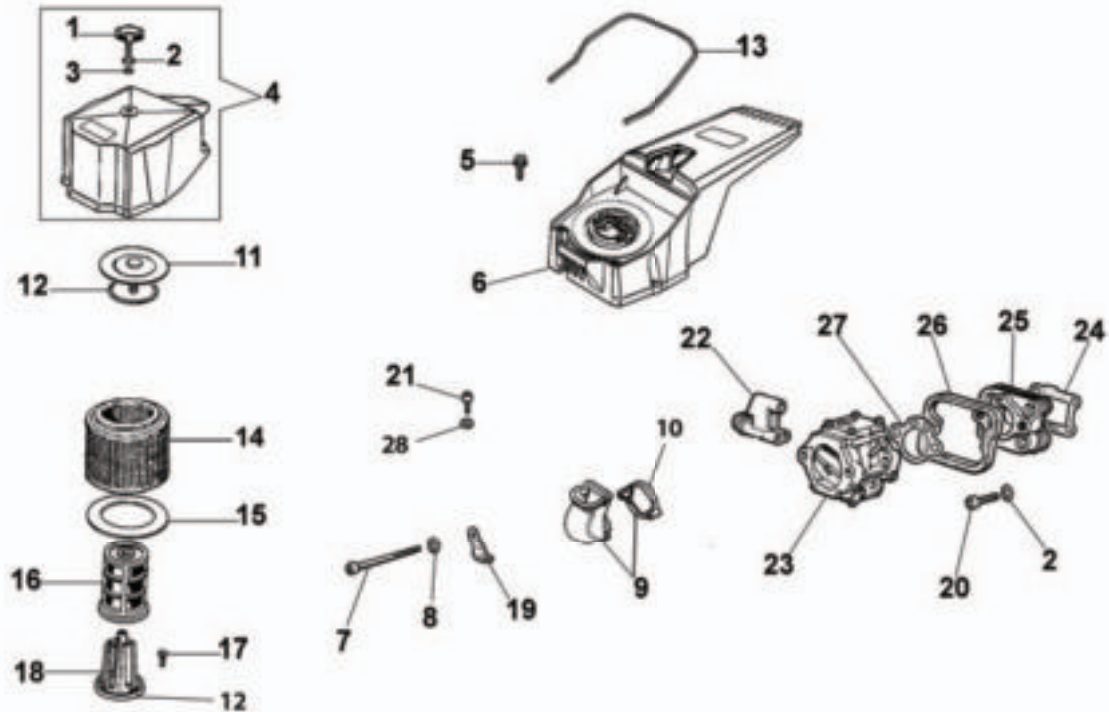


Key #	Part #	Description	MSRP
D34	73392	Cover Guard Front Mount Nut	\$0.50
D35	71744	Hose Hanger Button	\$0.50
D36	71454	Fitting	\$3.00
D37	71478	Wallwalker Side Arm Screw	\$0.50
D41	71453	Fitting	\$4.00
D42	71456	Copper Washer	\$0.65
D43	504388	633GC Water Cap	\$14.00
D44	73448	Fuel Cap O-Ring	\$13.00
D45	71455	Tube	\$2.00
D46	71461	Hose Hanger	\$1.95
D47	71465	Hose Clamp	\$2.50
D49	71463	Water Hose Screw	\$4.50
D50	71531	Guard Flap Clamp	\$6.00
D51	71534	Guard Flap	\$9.50
D55	71464	Water Hose Cover	\$2.50
D56	71458	Water Shut-Off Valve	\$9.00
D57	71468	Water Hose O-Ring	\$0.50
D58	71457	Ring Nut	\$7.50
D59	71467	Fitting	\$4.50
D60	71469	Water Hose Gasket	\$3.50
D61	73951	Washer	\$0.50
D62	71480	Guard Flap Spacer	\$0.50
D63	504387	633GC Wallwalker Lever Arm	\$60.00
D64	71479	Guard Flap Screw	\$0.50
D65	509798	WallWalker Kit	\$110.00

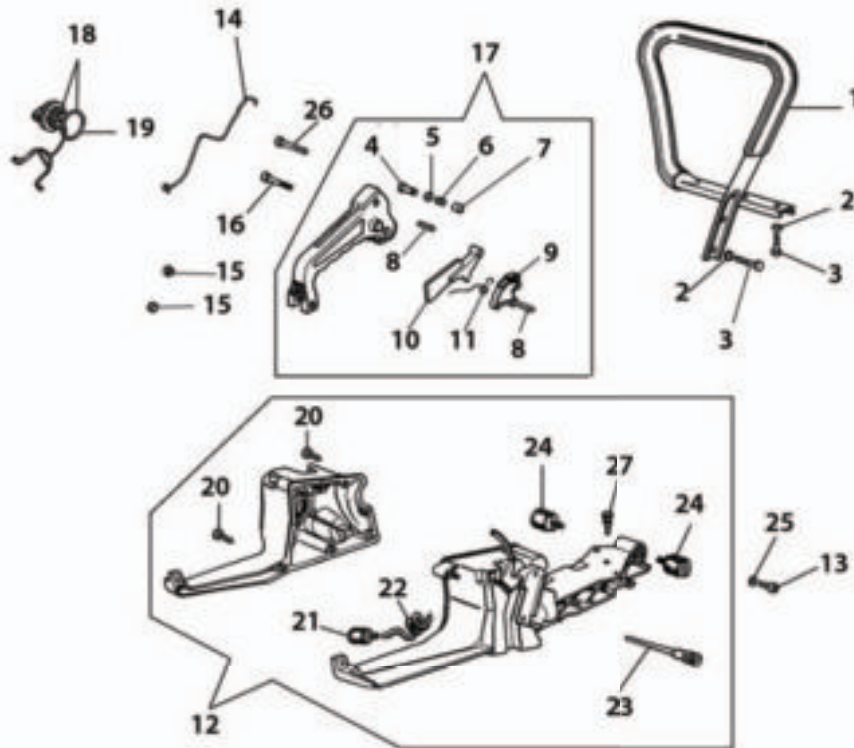


Key #	Part #	Description	MSRP
E05	73897	Washer	\$0.50
E10	71436	Shoulder Screw, Hand Guard	\$2.00
E13	71441	633GC Side Cover Plug Kit	\$7.50
E14	71435	633GC Hand Guard	\$20.00
E18	73284	Screw	\$0.50
E19	73309	Cover Side Bar Plate	\$6.50
E20	73310	Rubber Bumper Cover	\$1.00
E21	73311	Cover Rubber Flap	\$3.25
E22	73449	Side Cover w/o Brake Components	\$75.00
E23	73313	Cover Clamping Nut	\$0.80
E25	73314	Clutch Spacer Washer	\$2.00
E26	73423	Clutch Needle Bearing	\$14.25
E27	70948	Clutch Cup with Splined Adapter	\$29.50
E30	73317	Clutch Spring	\$4.85
E31	73451	Clutch Assembly	\$79.50
E32	70949	8T Rim Sprocket Kit	\$10.00
E43	73452	Clutch Shield	\$12.50
E44	73315	Chain Cover Rubber Insert-Middle	\$1.25
E45	73316	Clutch Drum Assy	\$1.00
E46	71437	633GC Hand Guard Screw	\$0.35
E47	504568	633GC Clutch Spacer	\$7.50

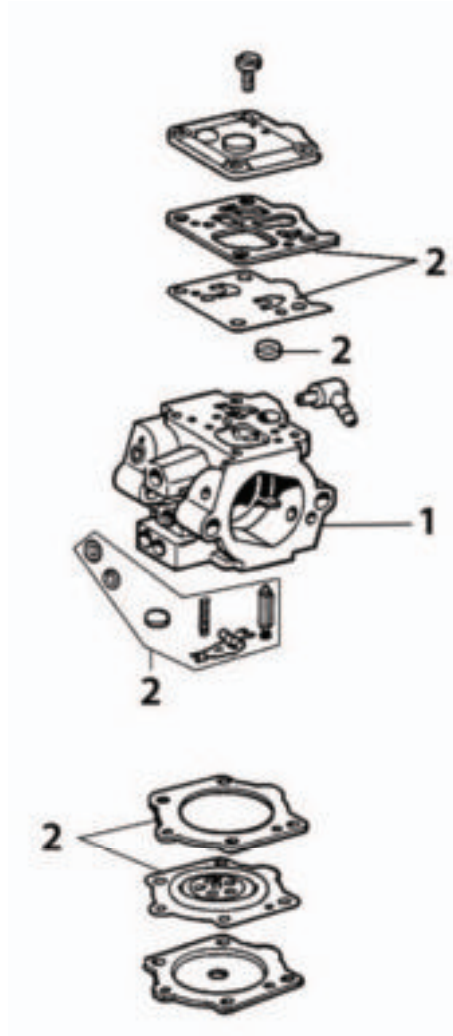




Key #	Part #	Description	MSRP
F01	73320	Filter Cover Knob	\$3.35
F02	73897	Washer	\$0.50
F03	73322	Filter Knob O-Ring	\$0.35
F04	71721	Air Filter Cover Assembly	\$23.50
F05	73230	Screw	\$0.50
F06	71722	Cylinder Cover	\$39.50
F07	73326	Carburetor Attachment Screw	\$0.85
F08	73327	Serrated Washer	\$0.35
F09	73328	Intake Manifold Rubber	\$12.50
F10	73329	Intake Manifold Bracket	\$6.50
F11	73330	Filter Canister Cover	\$11.50
F12	73331	O-Ring, Air Filter	\$1.50
F13	71719	Air Filter Gasket	\$2.95
F14	71752	Air Filter Canister, Polyester	\$16.00
F15	73335	Filter Canister Gasket	\$6.00
F16	73336	Prefilter Plastic, Secondary Filter	\$8.85
F17	73337	Filter Support Screw	\$0.50
F18	73338	Filter Support	\$19.85
F19	73387	Carburetor Standoff Support	\$3.85
F20	73278	Bolt	\$0.50
F21	73340	Carburetor Support Screw	\$0.50
F22	73341	Carburetor Mixture Screw Grommet	\$2.85
F23	73454	Carburetor	\$172.00
F24	73455	Insulator to Cylinder Gasket	\$12.50
F25	73344	Carburetor Insulator	\$18.00
F26	73345	Insulator Foam Gasket	\$2.00
F27	73456	Carburetor to Insulator Gasket	\$12.50
F28	73285	Washer	\$0.50



Key #	Part #	Description	MSRP
G01	73457	Front Handle Assembly	\$49.00
G02	73897	Washer	\$0.50
G03	73349	Front Handle Bolt	\$0.50
G04	73353	Trigger Lock Pin	\$0.95
G05	73354	Trigger Lock Pin Washer	\$0.35
G06	73355	Trigger Lock Spring	\$0.35
G07	73356	Trigger Lock Button	\$0.50
G08	73357	Trigger Pivot Pin	\$0.50
G09	73358	Throttle Lever	\$3.00
G10	73359	Trigger Lockout Lever	\$3.00
G11	73360	Trigger Lockout Lever Spring	\$5.00
G12	73458	Fuel Tank Assembly	\$325.00
G13	73275	Screw	\$0.50
G14	73366	Throttle Operating Wire	\$6.85
G15	73367	Nut	\$0.35
G16	73368	Rear Handle Rear Bolt	\$0.35
G17	73369	Rear Handle Assembly	\$22.50
G18	73370	Fuel Cap Assembly	\$5.75
G19	73448	Fuel Cap O-Ring	\$13.00
G20	73372	Fuel Tank Screw	\$0.50
G21	73459	Fuel Filter	\$7.50
G22	73375	Fuel Line	\$14.25
G23	73376	Fuel Breather Pipe	\$16.50
G24	73377	Shock Absorber	\$13.00
G25	73250	Washer	\$0.50
G26	73379	Screw	\$0.50
G27	73270	Bumper, Shock Absorber, Fuel Tank Top	\$2.00



Key #	Part #	Description	MSRP
H1	73454	Carburetor	\$172.00
H2	73460	Carburetor Overhaul Kit	\$27.50



Key #	Part #	Description	MSRP
1	71521	Scrench 13-19 mm	\$7.00
2	71541	Pressure Gauge Bulb	\$35.00
3	71542	Coil/Flywheel Timing Shim	\$9.00
4	71543	Cylinder Assembly Clamps & Piston Stop	\$8.00
5	71544	613 Manifold Assembly Tool	\$6.00
6	71546	Shock Absorber Tool	\$16.00
7	71547	Spark Tester	\$38.50
8	71548	Flywheel Puller Tool	\$25.00
9	71550	Limiter Cap Removal Tool	\$59.00
10	71565	Electronic Tachometer	\$125.00
11	71569	Induction Seal Flange w/Screws	\$7.00
12	71570	Exhaust Seal Flange w/Screws	\$13.50
13	71573	Tuning Screwdriver	\$6.50
14	73461	633 Flywheel Puller	\$95.00
15	73425	Fuel Tank Pressure Cap	\$63.50
16	73462	Main Bearing Driver Tool	\$32.00
17	73463	633 Main Bearing Spacing Tool	\$24.50
18	73464	633 Shock Absorber Tool	\$43.50
19	73465	633 Intake Port Cover Tool	\$19.00
20	73466	633 Exhaust Port Cover Tool	\$17.50
Above	71700	Gas Saw Service Tool Kit (Includes all items listed above)	\$565.00

© 2006 ICS, Blount International Inc.

Supersedes all previous pricing. Specifications and pricing are subject to change without notice.

T: 800.321.1240 • www.icsbestway.com • F: 503.653.4393





**The best way  
to cut concrete™**