



CC3700 SERIES CONCRETE SAW

GAS and DIESEL MODELS

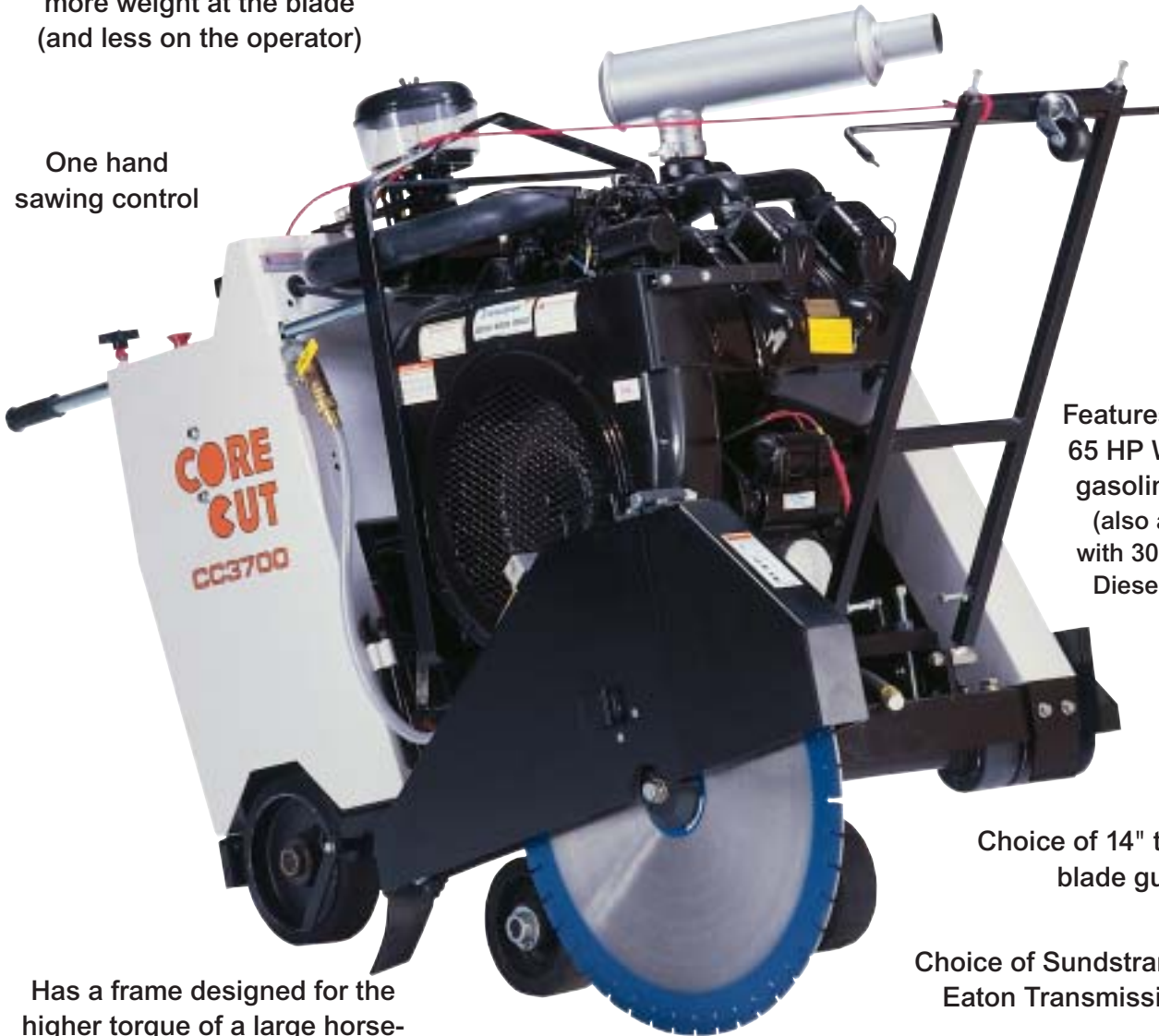
*C*essco *I*nc.

Toll Free 1-800-882-4959

**The Most Compact 65 HP Saw on the Market
- Fits Through a 30" Door!**

Forward-positioned motor for
more weight at the blade
(and less on the operator)

One hand
sawing control



Features powerful
65 HP Wisconsin
gasoline engine
(also available
with 30 HP Deutz
Diesel engine)

Choice of 14" through 36"
blade guards

Choice of Sundstrand or
Eaton Transmission

Has a frame designed for the
higher torque of a large horse-
power engine but more compact
than the CC6500

Maximum cutting depth
14-3/4" with 36" guard



Core Cut® large saws
have the best bearings,
blade flanges and blade
shafts in the
business.

Large Concrete Saws



CC3700 GAS and DIESEL SAW SPECIFICATIONS



CC3700 Control Panel

Cutting Depth Chart

Blade Diameter	14"	20"	26"	30"	36"
Cutting Depth	4-5/8"	7-5/8"	10-5/8"	11-3/4"	14-3/4"

CC3700 Specifications

Maximum Depth of Cut: 14-3/4"
Blade Shaft Diameter: 1-3/4"
Arbor Diameter: 1" with single drive pin
Blade Shaft Bearings: Self-aligning double concave roller
Blade Shaft Drive: 6 or 8 Belt
Blade Mounting: Right or left
Blade Raise and Lower: Electro-hydraulic pump
Blade Coolant: Dual multi-spray tubes
Blade Guard Attachment: Slip-on through 30", Bolt-on 36"
Front Wheel Dimensions: 8" x 3" x 1"
Rear Wheel Dimensions: 10" x 3" x 1-1/4"
Handle Bars: Tilt
Transmission: Sundstrand-Sauer or Eaton Model 10
Drive Speed: 0-200 feet per minute
Air Filter: 4 stage
Fuel Capacity: 6 gallons
Electric Start: Standard
High Temperature Shut-Off: Standard
Hour Meter: Standard
Tachometer: Optional
Amp Meter: Standard
Cutting Depth Indicator: Standard
Quick Disconnect Blade Flanges: Standard
Frame Lift: Standard
Quick Release Rear Wheels: Standard
Telescoping Front Pointer: Standard

CC3700 Saws - Gas and Diesel Powered Models

Model No.	Engine Type	Part No. Sundstrand	Cat. No Sundstrand	Part No. Eaton	Cat. No. Eaton	Blade Capacity	Uncrated Wt. *
CC3765-8-14	65 HP Wisconsin	5800348	48454	5800431	47800	14"	1,320 lbs.
CC3765-8-20	65 HP Wisconsin	5800349	48033	5800432	47810	20"	1,330
CC3765-8-26	65 HP Wisconsin	5800350	47168	5800433	47030	26"	1,340
CC3765-8-30	65 HP Wisconsin	5800351	47060	5800434	47080	30"	1,350
CC3765-8-36	65 HP Wisconsin	5800352	48455	5800435	46828	36"	1,360
CC3728-6-14	30 HP Deutz Diesel	5800367	48456	5800440	48476	14"	1,320
CC3728-6-20	30 HP Deutz Diesel	5800368	48457	5800441	48477	20"	1,330
CC3728-6-26	30 HP Deutz Diesel	5800369	48458	5800442	48478	26"	1,340
CC3728-6-30	30 HP Deutz Diesel	5800370	48459	5800443	48479	30"	1,350
CC3728-6-36	30 HP Deutz Diesel	5800371	48460	5800444	48480	36"	1,360

Quick-release bladeshaft/flange, slip-on blade guards, quick-release rear wheels, double concave roller bearings are standard on CC3700 models.

* Add 80 pounds for crated weight.

CC3700 Options

Description	P/N	Cat. No.
Free Wheeling Clutch*	6010179	02459
Water Safety Switch	6047932	47451
Water Pump (electric)	6011032	02506
Parking Brake	6011228	81191
Spot Light	6010112	02427
Magnetic Spot Light	6011170	47551
Vertical Muffler (65 HP)	2700143	00587
Shaft Tachometer	6010226	02479
Lowering Speed Metering Valve	6010227	02480
Oil Cooler for 65HP Wisconsin Engine	6010181	02460
Soft Start Controller Add On **	6010228	02481
Extended Blade Shaft Kit for spacing blades 3/4" to 1-1/2"	6010249	48094
Extended Blade Shaft Kit for spacing blades 1-1/2" to 2-1/4"	6010229	02482

* Standard on all electric saws.

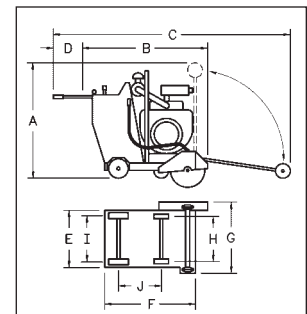
** Factory installed.

Extra Slip-On Blade Guards

	P/N	Cat. No.
14" Capacity (slip-on)	6010070	02395
20" Capacity (slip-on)	6010072	02397
26" Capacity (slip-on)	6010074	02398
30" Capacity (slip-on)	6010076	02399
36" Capacity	6010260	47088

CC3700 Dimensions

A Saw Height	49"
B Min Length Pointer Up, Handle In	59"
C Max Length Pointer Down, Handle Out	116"
D Handle Extension	24"
E Frame Width	25-3/4"
F Frame Length	46"
G Saw Width*	32-1/4"
H Front Axle Center Length	19-7/8"
I Rear Axle Center Length	22-5/8"
J Wheel Base Length	21-3/8"
K Blade Shaft Max Height	19-1/2"



* Saw width is reduced by removing blade guard and outer flange to permit entry through a 30" opening. Crated Saw Dimensions: 60" long x 36" wide x 56" high





CC3700 SERIES ELECTRIC SAW

The Powerful, Multi-Application Electric Saw

Largest dual voltage electric saw on the market

Available with Optional Soft Start

Splashproof Control Box with Amp Meter



Electronic Overload Protection with External Reset Button

Choice of Sundstrand or Eaton Transmissions

Available with a 25, 30 or 40 HP electric motor

Core Cut® large electric saws feature a large electric Controller/Starter and a large, 2" emergency stop button within easy reach of the operator. Available with Soft-Start option to reduce start-up power surge and allow the use of a smaller generator or other power source.

40 HP model is the most powerful electric saw on the smallest frame in the industry



CC3700 ELECTRIC SAW SPECIFICATIONS



CC3700E Control Panel

Cutting Depth Chart

Blade Diameter	14"	20"	26"	30"	36"
Cutting Depth	4-5/8"	7-5/8"	10-5/8"	11-3/4"	14-3/4"

CC3700 Specifications

Maximum Depth of Cut: 14-3/4"
Blade Shaft Diameter: 1-3/4"
Arbor Diameter: 1" with single drive pin
Blade Shaft Bearings: Self-aligning double concave roller
Blade Shaft Drive: 6 or 8 Belt
Blade Mounting: Right or left
Blade Raise and Lower: Electro-hydraulic pump
Blade Coolant: Dual multi-spray tubes
Blade Guard Attachment: Slip-on though 30", Bolt-on 36"
Front Wheel Dimensions: 8" x 3" x 1"
Rear Wheel Dimensions: 10" x 3" x 1-1/4"
Handle Bars: Tilt
Transmission: Sundstrand-Sauer or Eaton Model 10
Drive Speed: 0-200 feet per minute
Electric Starter Box: Standard
Hour Meter: Standard
Amp Meter: Standard
Cutting Depth Indicator: Standard
Quick Disconnect Blade Flanges: Standard
Frame Lift: Standard
Quick Release Rear Wheels: Standard
Free Wheeling Clutch: Standard
Telescoping Front Pointer: Standard

CC3700 Saws - Electric Models

Model No.	Engine Type	Part No. Sundstrand	Cat. No. Sundstrand	Part No. Eaton	Cat. No. Eaton	Blade Capacity	Uncrated Wt. *
CC3740E-8-20	40 HP Lincoln Electric (460V) □*	5800344	48461	5800436	48209	20"	1355 lbs.
CC3740E-8-26	40 HP Lincoln Electric (460V) □*	5800345	48462	5800437	48481	26"	1365
CC3740E-8-30	40 HP Lincoln Electric (460V) □*	5800346	48463	5800438	47081	30"	1375
CC3740E-8-36	40 HP Lincoln Electric (460V) □*	5800347	46849	5800439	46827	36"	1385
CC3730E-6-14	30 HP Lincoln Electric (460V) □*	5800338	48464	5800381	48482	14"	1270
CC3730E-6-20	30 HP Lincoln Electric (460V) □*	5800339	48465	5800382	48483	20"	1280
CC3730E-6-26	30 HP Lincoln Electric (460V) □*	5800340	48466	5800383	48484	26"	1290
CC3730E-6-30	30 HP Lincoln Electric (460V) □*	5800341	48467	5800384	48485	30"	1300
CC3730E-6-36	30 HP Lincoln Electric (460V) □*	5800366	48468	5800385	48486	36"	1310
CC3725E-6-14	25 HP Leeson Electric** □	5800158	48469	5800445	48487	14"	1305
CC3725E-6-20	25 HP Leeson Electric** □	5800159	02300	5800446	48488	20"	1315
CC3725E-6-26	25 HP Leeson Electric** □	5800160	02301	5800447	48489	26"	1325
CC3725E-6-30	25 HP Leeson Electric** □	5800161	48470	5800448	48490	30"	1335
CC3725E-6-36	25 HP Leeson Electric** □	5800365	48471	5800449	48491	36"	1345

** Specify 230V or 460V. 575V available on request.

*add 80 pounds for crated weight.

□ Includes motor starter switchbox.

Quick-release bladeshaft/flange, slip-on blade guards, quick-release rear wheels, double concave roller bearings are standard on CC3700 models.

* 575V available on request.

Extra Slip-On Blade Guards

	P/N	Cat. No.
14" Capacity (slip-on)	6010070	02395
20" Capacity (slip-on)	6010072	02397
26" Capacity (slip-on)	6010074	02398
30" Capacity (slip-on)	6010076	02399
36" Capacity	6010260	47088

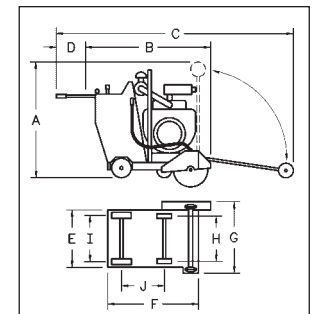
CC3700 Options - Electric Saws

Description	P/N	Cat. No.
Water Pump (electric)	6011032	02506
Spot Light	6010112	02427
Magnetic Spot Light	6011170	47551
Lowering Speed Metering Valve	6010227	02480
Soft Start Controller Add On*	6010228	02481
Extended Blade Shaft Kit for spacing blades 3/4" to 1-1/2"	6010249	48094
Extended Blade Shaft Kit for spacing blades 1-1/2" to 2-1/4"	6010229	02482

* Factory installed

CC3700 Dimensions

A Saw Height	49"
B Min Length Pointer Up, Handle In	59"
C Max Length Pointer Down, Handle Out	116"
D Handle Extension	24"
E Frame Width	25-3/4"
F Frame Length	46"
G Saw Width*	32-1/4"
H Front Axle Center Length	19-7/8"
I Rear Axle Center Length	22-5/8"
J Wheel Base Length	21-3/8"
K Blade Shaft Max Height	16-1/2"



* Saw width is reduced by removing blade guard and outer flange to permit entry through a 30" opening. Crated Saw Dimensions: 60" long x 36" wide x 56" high



Large Concrete Saws

