



DCA150USJ

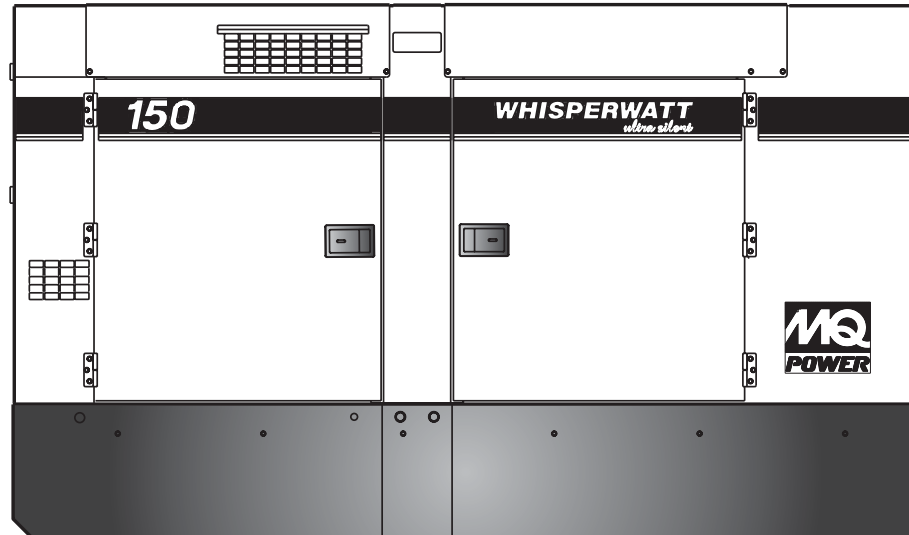
Ultra-Silent Series

WhisperWatt™ 150

Prime Rating: 120 kW (150 kVA)

Standby Rating: 132 kW (165 kVA)

60 Hertz



Standard Features

- **Heavy duty, 4-cycle, direct injection diesel engine** provides maximum reliability.
- **Brushless alternator** reduces service and maintenance requirements and meets temperature rise standards for Class F insulation systems.
- **Open delta alternator design** provides virtually unlimited excitation for maximum motor starting capability.
- **Automatic voltage regulator (AVR)** provides precise regulation.
- **Electronic Governor Control (Crystal Sync)** maintains frequency to within $\pm 0.25\%$ from no load to full load.
- **Full load acceptance** of standby nameplate rating in one step (NFPA 110, para 5-13.2.6).
- **Sound attenuated, weather resistant, steel housing** provides ultra-silent operation at 63 dB(A) at 23 feet. Fully lockable enclosure allows safe unattended operation.
- **Integrated fuel tank** with direct reading fuel gauges are standard.
- **Seven-stage powder coat paint** provides durability and weather protection.
- **Fuel / water separators** remove condensation from fuel for extended engine life. Panel mounted alarm light included.
- **Complete engine analog instrumentation** includes DC ammeter, oil pressure gauge, water temp. gauge, fuel level gauge, tachometer/hour meter, preheat indicator, and emergency shutdown monitors.
- **Complete generator analog instrumentation** includes voltage regulator control, ammeter phase selector switch, voltmeter phase selector switch, AC voltmeter, AC ammeter, frequency meter, panel light, and circuit breaker.
- **Automatic safety shutdown system** monitors the engine oil pressure and water temperature. Warning lights indicate abnormal conditions.
- **Automatic start / stop control** automatically starts the generator set during a commercial power failure when used in conjunction with a transfer switch.
- **Complete power panel.** Fully covered; three-phase terminals and single phase receptacles allow fast and convenient hookup for most applications including temporary power boxes, tools and lighting equipment. All are NEMA standard.
- **Simultaneous single and three phase power.**
- **Voltage selector switch** allows easy to change voltages as your applications require.
- **EPA emissions certified.** — Tier 3 emissions compliant.



DCA150USJ

Ultra-Silent Series

Specifications

Generator Specifications

Design	Revolving field, self-ventilated drip-proof, single bearing
No. of Poles	4-pole
Excitation	Brushless with AVR
Standby Output	132 kW (165 kVA)
Prime Output	120 kW (150 kVA)
Generator RPM	1800
Voltage — 3Ø	208, 220, 240, 415, 440, 480V Switchable
Voltage — 1Ø	120, 127, 139, 240, 254, 277V Switchable
Armature Connection	Star with neutral / Zig Zag
Voltage Regulation (No load to full load)	±0.5%
Power Factor	0.8
Frequency	60 Hz
Insulation	Class F
Sound Level dB(A) Full load at 23 feet	63

Engine Specifications

Make / Model	John Deere / 6068HF285
Emissions	EPA Tier 3 Certified
Starting System	Electric
Design	4-cycle, Water cooled, direct injection, turbocharged, air to air intercooled
Displacement	415.0 in ³ (6800 cc)
No. cylinders	6
Bore x Stroke (mm)	106 x 127
Gross Engine Power Output	237 hp (176 kW)
BMEP	229 psi (1578 kPa)
Piston Speed	1500 ft./min. (7.62 m/s)
Compression Ratio	17.0 : 1
Engine Speed	1800 rpm
Overspeed Limit	2100 rpm
Oil capacity gallons (liters)	8.19 (31.0)
Battery	12V 128Ah x 1

Fuel System

Maximum Fuel Flow (per hour)	28.4 gallons (108 liters)
Maximum Inlet Restriction (Hg)	5.9 in. (150 mm)
Fuel Tank Capacity	214 gallons (810 liters)
Fuel Consumption	
At full load gph (lph)	8.6 (32.6)
At 3/4 load gph (lph)	6.9 (26.3)
At 1/2 load gph (lph)	5.2 (19.5)
At 1/4 load gph (lph)	2.9 (11.1)

Cooling System

Fan Load	5.0 hp (3.7 kW)
Coolant Capacity (with radiator)	5.8 gallons (22.0 liters)
Coolant Flow Rate (per minute)	48 gallons (180 liters)
Heat Rejection to Coolant (per minute)	5324 Btu (5.62 MJ)
Heat Rejection from Engine (per minute)	1821 Btu (1.92 MJ)
Maximum Coolant Friction Head	2 psi (13.8 kPa)
Maximum Coolant Static Head	21 feet (6.4 meters)
Ambient Temperature Rating	104 °F (40 °C)

Air

Combustion Air	452 cfm (12.8 m ³ /min)
Maximum Air Cleaner Restriction	25.0 in. H ₂ O (6.25 kPa)
Alternator Cooling Air	1352 cfm (38.3 m ³ /min)
Radiator Cooling Air	2944 cfm (83 m ³ /min)

Exhaust System

Gas Flow (full load)	1165 cfm (33m ³ /min)
Gas Temperature	916°F (491°C)
Maximum Back Pressure	30 in. H ₂ O (7.5 kPa)

Amperage

Rated Voltage	Maximum Amps
1Ø 120 Volt	333.3 Amps (4 wire)
1Ø 240 Volt	166.7 Amps (4 wire)
3Ø 240 Volt	361 Amps
3Ø 480 Volt	180 Amps
Main Line Circuit Breaker Rating	400 Amps
Over Current Relay Trip Set Point	180 Amps

Warranty*

John Deere Engine

12 months from date of purchase with unlimited hours or 24 months from date of purchase with 2000 hours (whichever occurs first).

Generator

24 months from date of purchase or 2000 hours (whichever occurs first).

Trailer

12 months excluding normal wear items.

*Refer to the express written, one-year limited warranty sheet for additional information.

Generator is not intended for use in enclosed areas or where free flow of air is restricted.

Backfeed to a utility system can cause electrocution and/or property damage. Do not connect to any building's electrical system except through an approved device.

Specifications are subject to change without notice.



DCA150USJ

Ultra-Silent Series

MQ POWER DECIBEL LEVELS

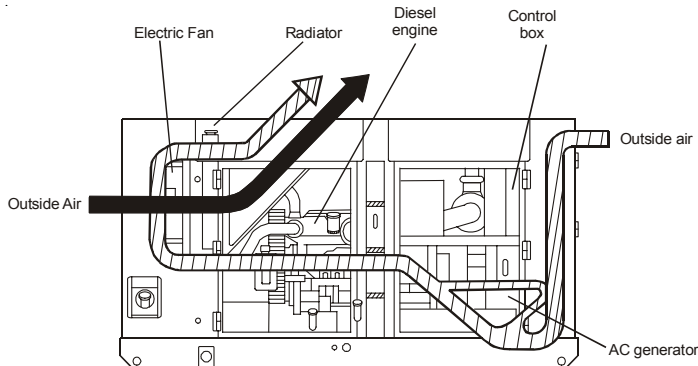
Our soundproof housing allows substantially lower operating noise levels than competitive designs. WhisperWatts are at home on construction sites, in residential neighborhoods, and at hospitals — just about anywhere.

- 90 — Subway / truck traffic
- 80 — Average city traffic
- 70 — Inside car at 60 mph
- 60 — Air conditioner at 20 feet
- 50 — Normal conversation

63.0
DECIBELS

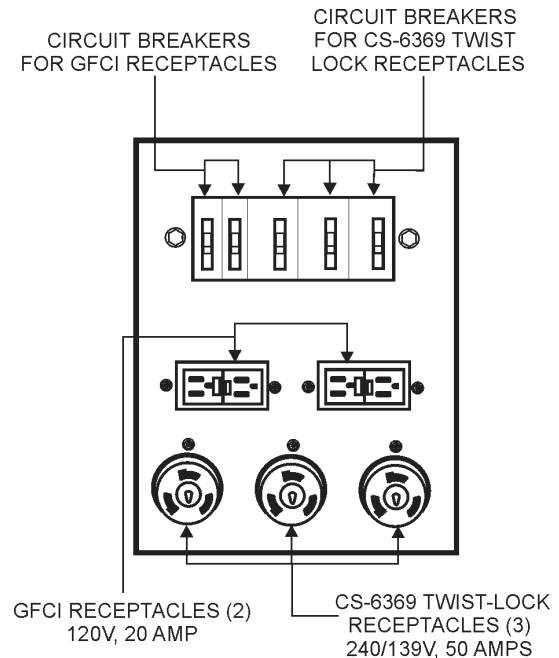
Ultra-Silent Features

- Low Noise Muffler**— Large capacity low noise muffler minimizes exhaust sound. A sound absorbing pipe located at air cleaner inlet reduces suction noise.
- Soundproof Casing**— A new design divides the cabinet into three sections, separating the engine, muffler and radiator for more efficient cooling and reduces noise from the engine and fans.
- New Cooling System**— An advanced design uses two separate air intake systems to cool the generator. The engine fan draws air in to cool the engine and generator housing while a second electric fan directly cools the radiator. With less air being drawn into the generator through each fan, considerably less noise is produced through the top of the generator.
- Environmental Design** — Constructed using an integrated environmental skid and fuel tank. This design fully contains fuel leakage and any liquid that might leak from the engine such as lube oil or radiator coolant. All potentially hazardous liquids are contained without contaminating the surrounding area.



Flow of Cooling Air

Generator Output Panel



Optional Control Features

- Emergency Stop Switch.**
- Audible Alarm** — alerts operator of abnormal conditions.

Optional Generator Features

- Battery Charger** — provides fully automatic and self-adjusting charging to the generator's battery system.
- Jacket Water Heater** — for easy starting in cold weather climates.
- Special Batteries** — long life batteries provide extra engine cranking power.
- Spring Isolators** — provides extra vibration protection for standby applications.
- Low Coolant Level Shutdown** — provides protection from critically low coolant levels. Includes control panel warning light.
- Trailer Mounted Package** — highway legal trailer with electronic or surge brakes with tandem axle configuration.

Optional Distribution Devices

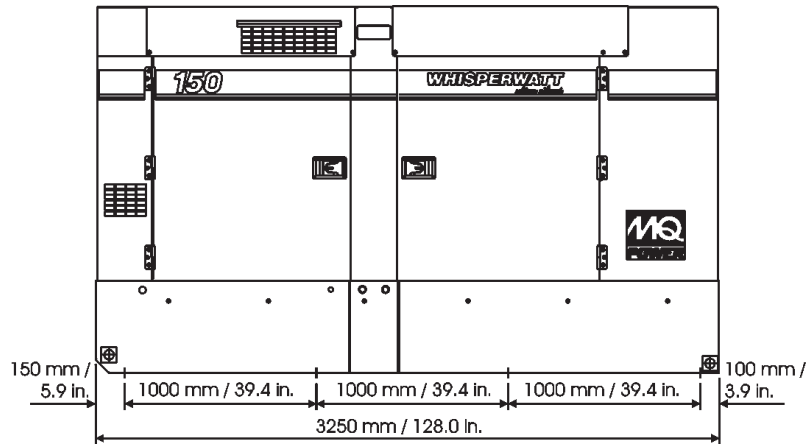
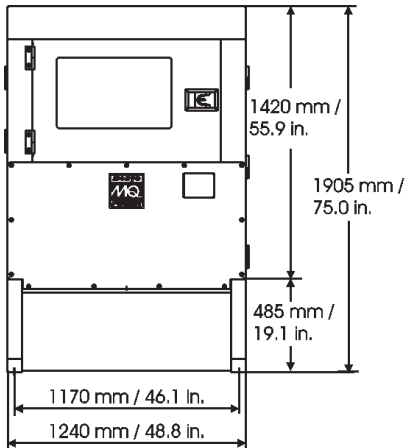
- Cam-Lock connectors.**
- Pin & Sleeve Connectors.**
- AC Output Cable.**



DCA150USJ

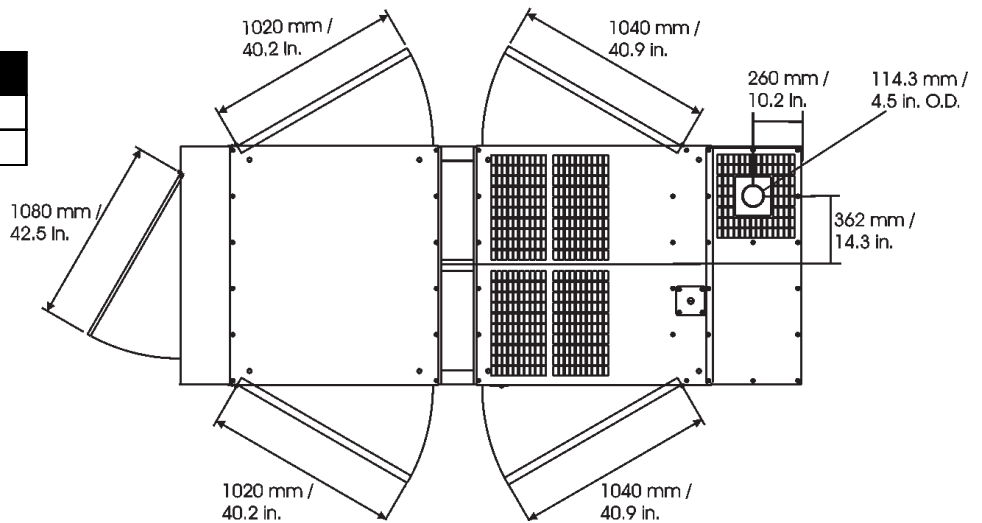
Ultra-Silent Series

Dimensions



Weight

Dry Weight	6603 lb (2995 kg)
Wet Weight	8223 lb (3730 kg)



Units manufactured by Denyo Corp.

Your MQ Power dealer is:



MQ POWER
 POST OFFICE BOX 6254
 CARSON, CA 90749
 310-537-3700 • 800-421-1244
 FAX: 310-632-2656
 E-MAIL: mq@multiquip.com
 WWW: www.mqpower.com