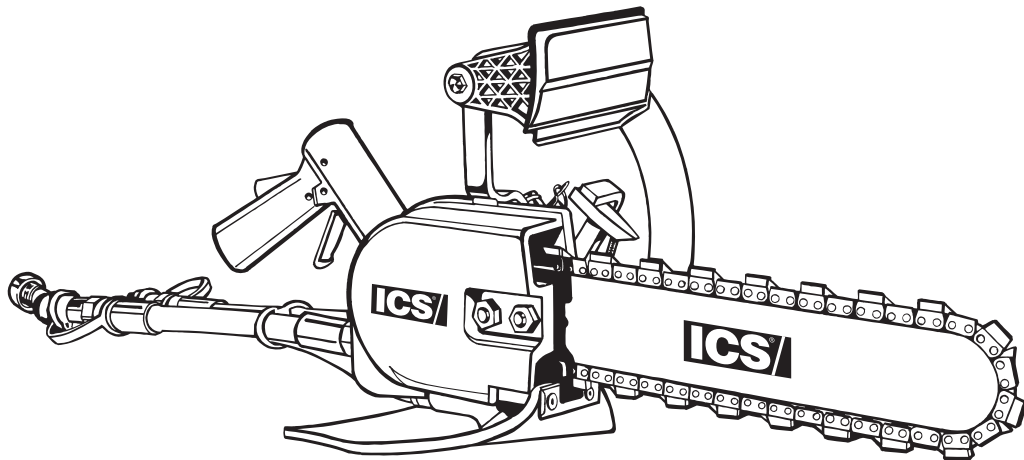




# Replacement Parts & Accessories Price List



## 814PRO Hydraulic Concrete Saw

Effective January 1, 2011

# TABLE OF CONTENTS

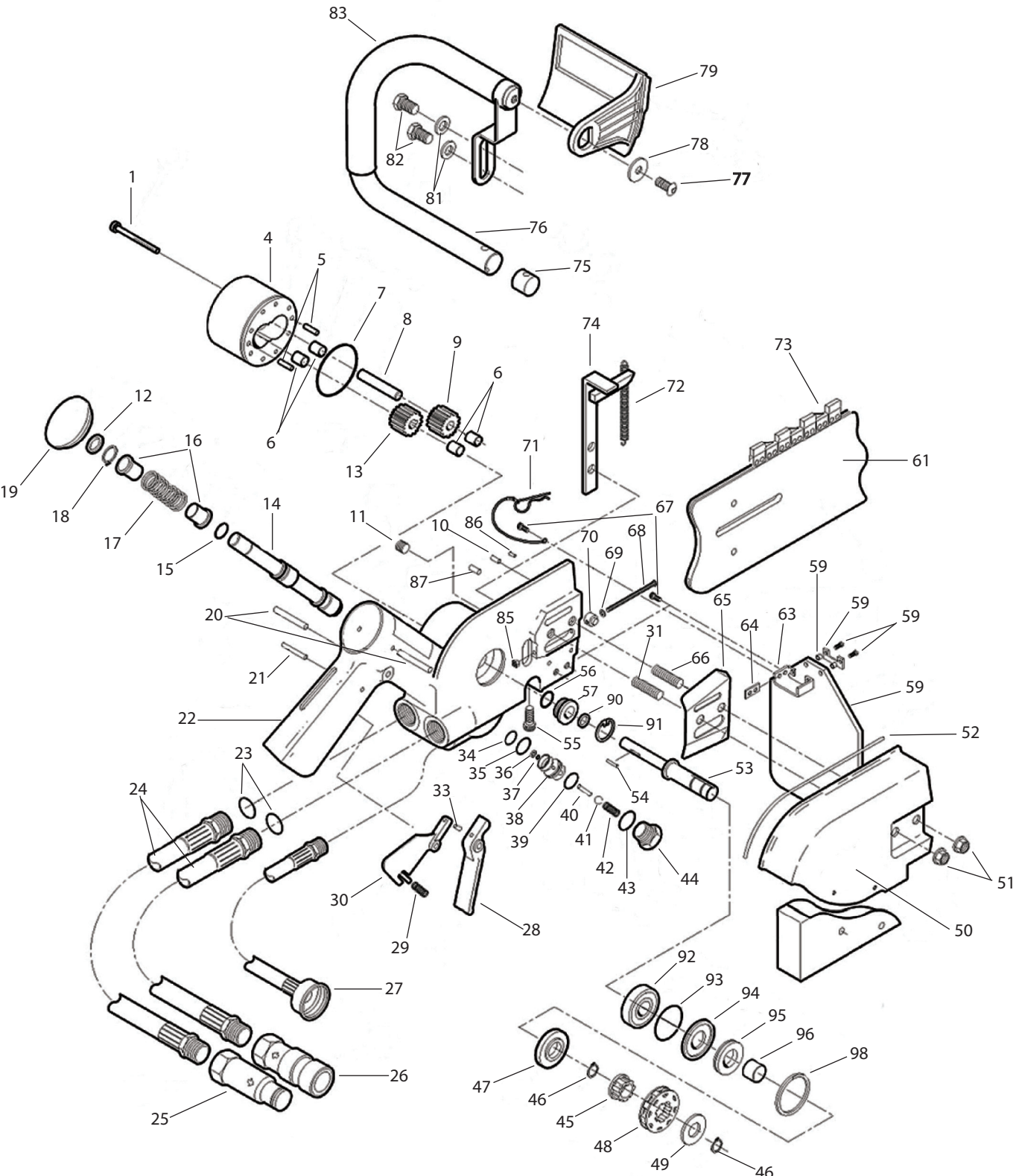
## 814PRO Hydraulic Concrete Saw

ITEM DESCRIPTION	KEY	PAGE
814PRO Hydraulic Saw Service Parts & Kits	n/a	iii
814PRO Hydraulic Saw Assembly (Parts 1-49)	A	1-2
814PRO Hydraulic Saw Assembly (Parts 49-98)	A	3-4

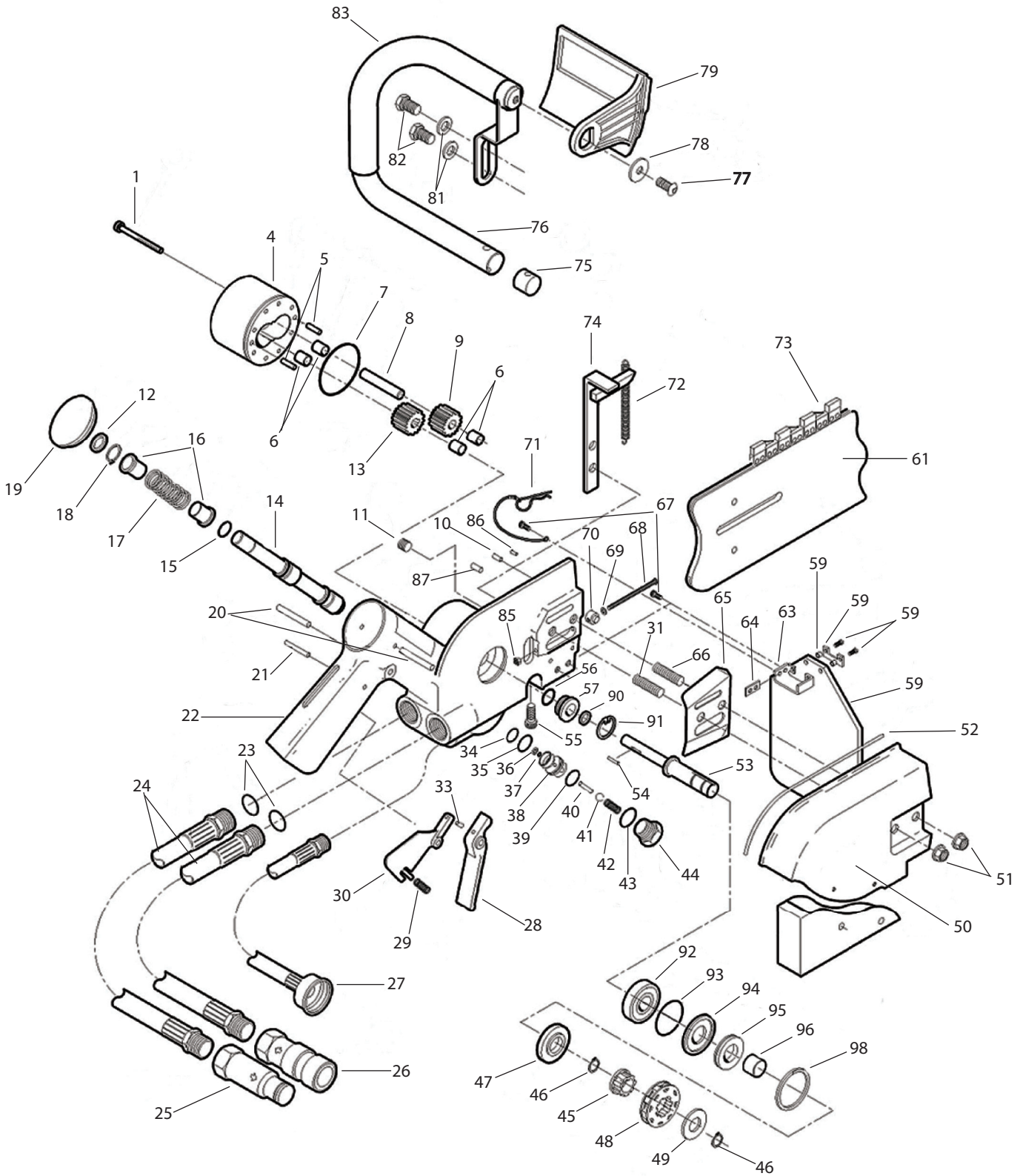
# SERVICE PARTS & KITS

## 814PRO Hydraulic Concrete Saw

Part No.	Description	MSRP
71152	Tensioning Scrench, Hydraulic Saws	\$13.50
71944	Water Valve Seal Kit, includes: 34, 35, 37, 39, & 43	\$31.00
71945	Motor Shaft Seal Kit, includes 7, 56, 90, 91, 93, & 95	\$86.00
74061	Chain Tensioning Assembly, includes 68, 69, 70, & 85	\$60.00
75260	814PRO Rim Sprocket Upgrade Kit	\$425.00



Key #	Part No.	Description	MSRP
1	74514	HSH Cap Screw 10-24 x 1 1/4	\$5.00
4	74515	Rear Gear Housing Assembly	\$214.00
5	74516	Dowl Pin	\$3.50
6	74517	Bushing (4)	\$32.00
7	74518	O-Ring	\$4.00
8	74519	Idler Shaft	\$39.00
9	74520	Idler Gear	\$132.00
10	74021	WallWalker Pivot Pin	\$24.00
11	74597	1/8 NPT Plug	\$8.00
12	74596	Wiper Seal	\$50.00
13	74522	Drive Gear, with Keyway	\$155.00
14	74523	On-Off Valve	\$115.00
15	74524	Hydraulic Valve Seal	\$4.50
16	74525	Spring Washer	\$24.00
17	74526	Spring	\$21.00
18	74527	Retaining Ring, 1/2 External	\$7.00
19	74528	Plug Button	\$4.00
20	74529	Roll Pin	\$3.50
21	74530	Roll Pin	\$3.50
22	74531	Valve Handle Assembly includes 74540 & 74569	\$885.00
23	74532	O-Ring	\$4.00
24	74533	Pigtail Hose Assembly	\$42.00
25	74534	1/2 in (1.3 cm) Flush Face Coupler (M)	\$41.00
26	74535	1/2 in (1.3 cm) Flush Face Coupler (F)	\$80.00
27	74536	Water Hose Assembly	\$85.00
28	74537	Trigger	\$50.00
29	74538	Spring Washer	\$4.00
30	74539	Safety Catch, Trigger Lock-Out	\$52.00
31	74540	Rear Stud	\$58.00
33	74542	Roll Pin	\$3.50
34	74543	O-Ring	\$5.00
35	74544	O-Ring	\$5.00
36	74545	Self Locking Retaining Ring	\$5.00
37	74546	O-Ring	\$4.00
38	74547	Water Valve Sleeve	\$135.00
39	74548	O-Ring	\$5.00
40	74549	Pin	\$47.00
41	74550	Steel Ball	\$5.00
42	74551	Spring	\$7.00
43	74552	O-Ring	\$3.75
44	74553	Seal Cap	\$59.00
45	71386	Splined Sprocket Adaptor	\$61.00
46	71384	External Shaft Retaining Ring	\$7.00
47	74497	Seal Spacer	\$37.00
48	71385	Rim Sprocket	\$30.00
49	71388	Tabbed Washer	\$12.00



Key #	Part No.	Description	MSRP
50	71940	Side Cover Replacement Kit	\$285.00
51	74558	Flange Nut, M10	\$2.75
52	74559	Sprocket Side Cover Seal	\$18.00
53	71383	814PRO Motor Shaft Replacement	\$158.00
54	74561	Needle Roller	\$10.00
55	74562	HSH Cap Screw 5/15-18 x 3/4	\$2.50
56	74563	Shaft Seal	\$3.25
57	74564	Seal Back Up Washer	\$40.00
59	74591	Guard Flap Assembly	\$40.00
63	74566	Guard Flap Mount	\$85.00
64	74567	Spacer	\$52.00
65	74568	Bar Mount Cover Plate	\$47.00
66	74569	Front Stud	\$62.00
67	74570	HSH Cap Screw 1/4-20 x 5/8	\$2.50
68	74571	Machine Screw	\$4.00
69	74572	Stat-O-Seal	\$6.00
70	74573	Bar Adjustment Nut	\$42.00
71	74019	Lanyard Assembly	\$26.00
72	74582	WallWalker Spring	\$14.00
74	74583	WallWalker Arm, with Spring	\$94.00
75	74574	Handle Bar Retainer	\$22.00
76	74575	Handle Bar	\$183.00
77	74584	Guard Mounting Bolt	\$11.00
78	74585	Guard Mounting Washer	\$10.00
79	74586	Front Handguard	\$27.00
81	74576	Washer	\$3.50
82	74577	HH Cap Screw 5/16-18 x 5/8, Zinc	\$2.50
83	74588	Handlebar Grip	\$18.00
85	74579	Nut 1/4-20 HHD LT SST	\$2.50
86	74580	Spiral Pin	\$7.00
87	74581	Spiral Pin	\$7.00
90	74493	Quad-Ring	\$2.75
91	74565	Retaining Ring	\$3.85
92	74554	Shaft Bearing Race	\$117.00
93	74498	O-Ring	\$2.75
94	74495	Seal Washer	\$35.00
95	74494	V-Ring	\$21.00
96	74496	Seal Ring	\$27.00
98	74555	Retaining Ring	\$6.75

**814PRO Replacement Parts & Accessories Price List**

**ICS, Blount Inc.  
4909 SE International Way  
Portland, OR 97222  
Tel 800.321.1240 Fax 503.653.4393  
icsbestway.com**