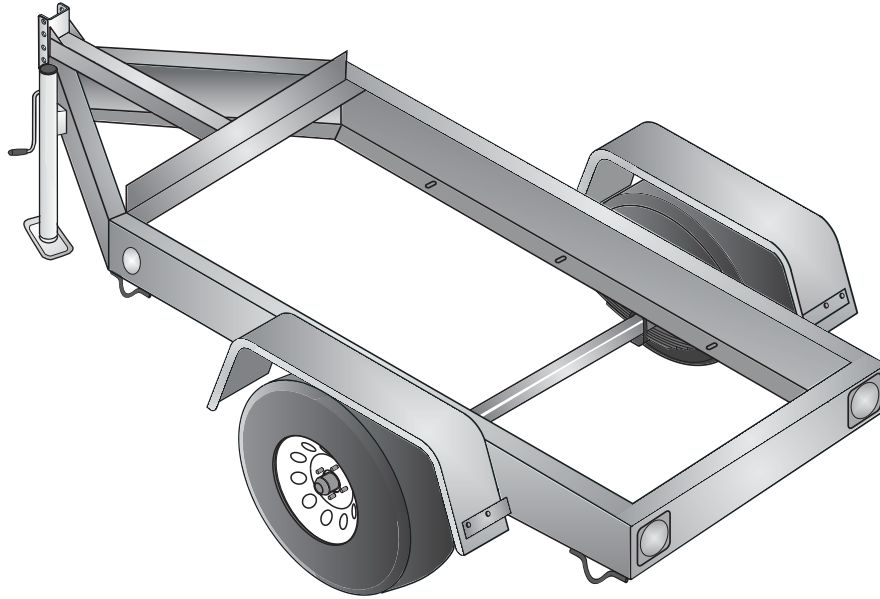




# TRLR25US Single Axle Trailer



TRLR25US Technical Data			
Gross Vehicle Weight Rating (GVWR)	2,720 lbs	Tire Size	ST175/80D13 LR-C
Gross Axle Weight Rating (GAWR)	3,500 lbs (ea.)	Wheel Bolt Pattern	5 Lug on 4.5 in
Coupler Rating	See Coupling Options on reverse page	Tire Load Rating	1,360 lbs (ea.)

## Standard Trailer Equipment

- Fits MQ Power Generator Model DCA25USI
- Single-axle Design with Leaf Spring Suspension
- H.D. Welded Steel Frame Construction
- Formed Channel for Generator Mounting and Support
- 4-hole Channel Allows 3-position, Adjustable Coupler Height; 4-inches O/A
- Tongue Mounted Swivel Jack (rated 2,000 pound lift)
- Replaceable, Bolt-on Steel Fenders
- Powder Coat Paint Process including: Frame, Channel, Actuator & Fenders
- D.O.T. Approved Tail Lamps, Stop Lamps, Turn Signal Lamps, Side Marker Lamps


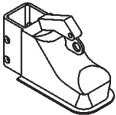
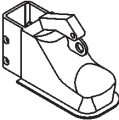


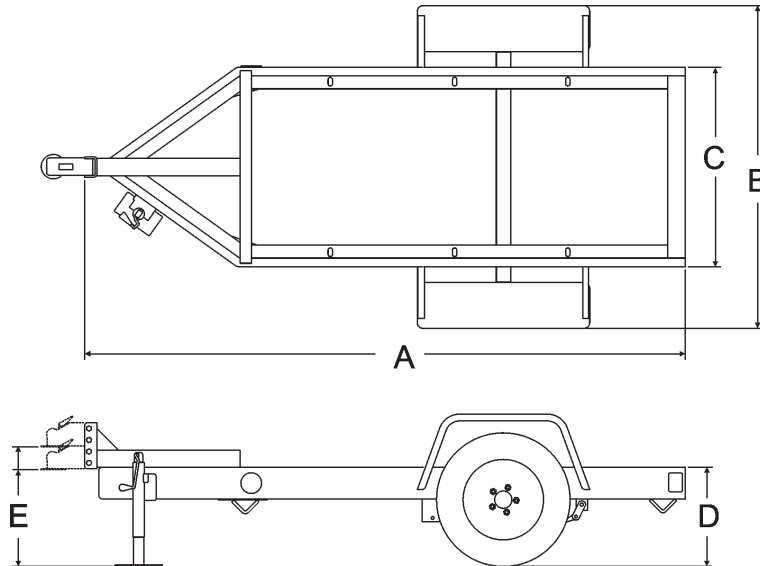
# TRLR25US Single Axle Trailer

## Optional Trailer Equipment

- Pintle Eye 3-inch
- Adjustable 2-inch Ball Coupler
- Adjustable 2 5/16-inch Ball Coupler
- Rear Stabilizer Stands
- Tongue Mounted Utility Storage Box
- Spare Tire with Locking Mount
- Anti-Theft Wheel Lock

## Coupler Options

3" Pintle Eye 20,000 lbs. (PRIMED) #EE36264	
2" Ball Coupler 10,000 lbs. (PLATED) #EE43254	
2-5/16" Ball Coupler 14,000 lbs. (PLATED) #EE43253	



Trailer Dimensions					
A	B	C	D	E	
				Min	Max
104.5 in.	56 in.	35 in.	17 in.	17 in.	21 in.
Trailer Weight					
406 lbs (184 kg)*					

\* Weight is approximate

Your MQ Power dealer is:

Cessco Inc.  
4222 NE Columbia Blvd.  
Portland, OR 97218



Toll Free: 1-800-882-4959



**MQ POWER**

POST OFFICE BOX 6254

CARSON, CA 90749

310-537-3700 • 800-421-1244

FAX: 310-632-2656

E-MAIL: [mqpower@multiquip.com](mailto:mqpower@multiquip.com)

WEBSITE: [www.mqpower.com](http://www.mqpower.com)