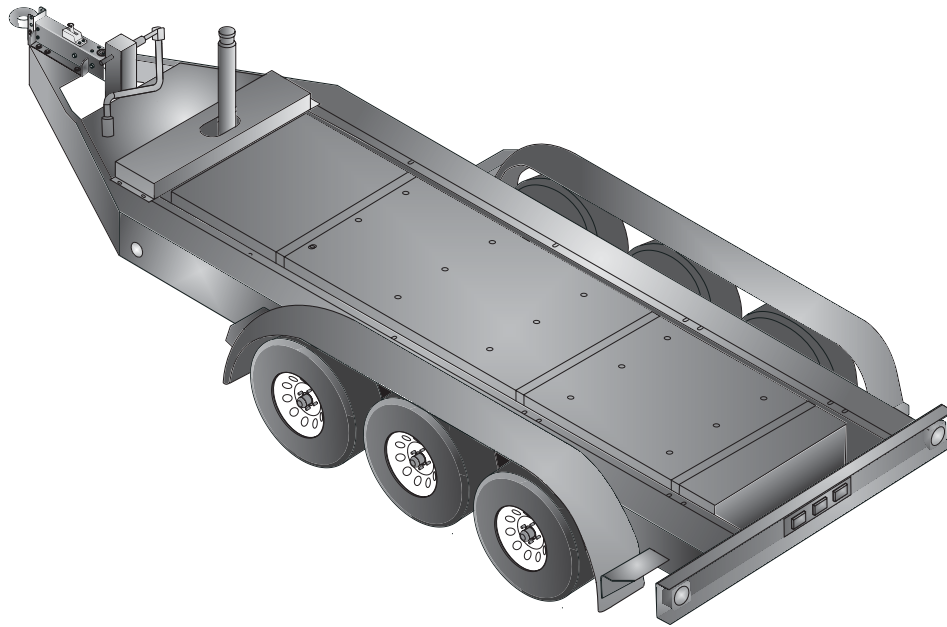




# TRLR400XF

## Triple Axle Trailer



TRLR400XF - Triple Axle Technical Data			
Gross Vehicle Weight Rating (GVWR)	20,000 lbs	Tire Size	ST235/80R16 LR-E
Gross Axle Weight Rating (GAWR)	8,000 lbs (ea.)	Wheel Bolt Pattern	8 x 6.5
Actuator Rating	20,000 lbs	Tire Load Rating	3,500 lbs (ea.)
Pintle Eye Coupler Rating	20,000 lbs	Dimensions (LxWxH)	See Dimensions on reverse page

### Standard Trailer Equipment

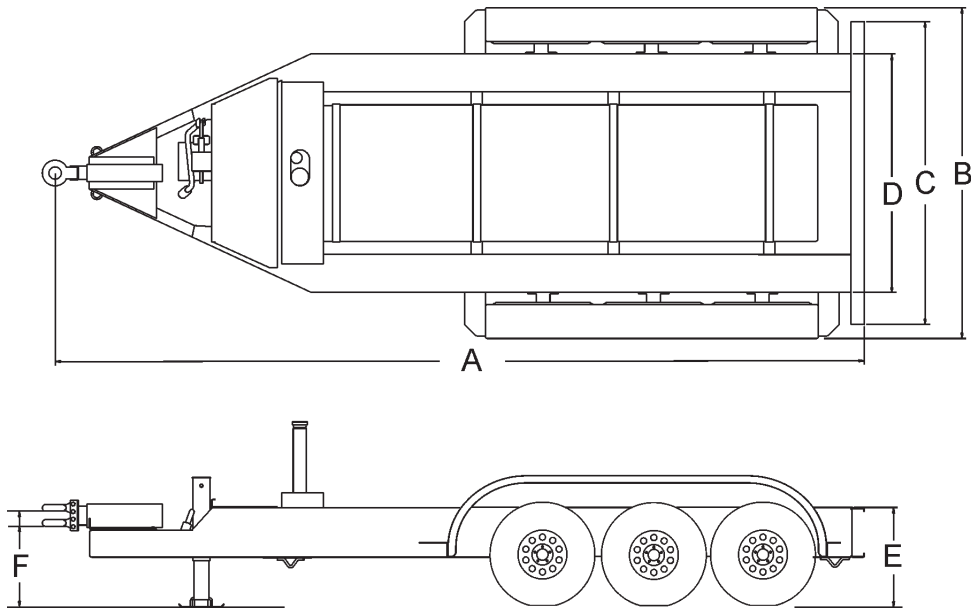
- Fits MQ Power Generator Model DCA400SSI
- Straight Triple-axle Design with Leaf Spring Suspension
- H.D. Welded Steel Frame Construction
- Structural Channel for Generator Mounting and Support
- Integral Fuel Cell; Single-wall Steel Design; 350-gallon Capacity
- Replaceable, Bolt-on Hydraulic Brake Actuator
- Surge Hydraulic-actuated Drum Brakes (all axles)
- Hydraulic Duo-servo Drum Brakes - 12-inch Cluster
- D.O.T. Steel Brake Lines, Brass Tees & Rubber Hydraulic Brake Hoses
- 4-hole Channel Allows 3-position, Adjustable Coupler Height; 4-inches O/A
- 3-inch Pintle-eye Coupler, Rated 20,000 lbs
- Heavy-duty Tongue Mounted, Drop-leg Jack (rated 10,000 pound lift)
- Replaceable Bolt-on Steel Fenders
- High-gloss Enamel Coated Frame, Channel, Actuator & Fenders
- D.O.T. Approved Tail Lamps, Stop Lamps, Turn Signal Lamps, Side Marker Lamps
- Weatherproof, Rubber Armored, 3-piece Trailer Light Wiring Harness



# TRLR400XF Triple Axle Trailer

## Optional Trailer Equipment

- Bolt-on Electric Brake Coupler Plate with Electric-actuated Drum Brakes (all axles)
- Anti-Theft Wheel Lock
- Tongue Mounted Utility Storage Box
- Electric Breakaway Safety Device (electric-actuated brakes)
- Rear Stabilizer Stands
- Spare Tire with Locking Mount



Trailer Dimensions						
A	B	C	D	E	F	
					Min.	Max.
264 in.	94 in.	84 in.	66 in.	32.5 in.	27.5 in.	31.5 in.
Trailer Weight						
without fuel				with fuel		
4,280 lbs (1,943 kg)*				6,765 lbs (3,071 kg)*		

\* Weight is approximate

Your MQ Power dealer is:



**MQ POWER**  
 POST OFFICE BOX 6254  
 CARSON, CA 90749  
 310-537-3700 • 800-421-1244  
 FAX: 310-632-2656  
 E-MAIL: [mqpower@multiquip.com](mailto:mqpower@multiquip.com)  
 WEBSITE: [www.mqpower.com](http://www.mqpower.com)