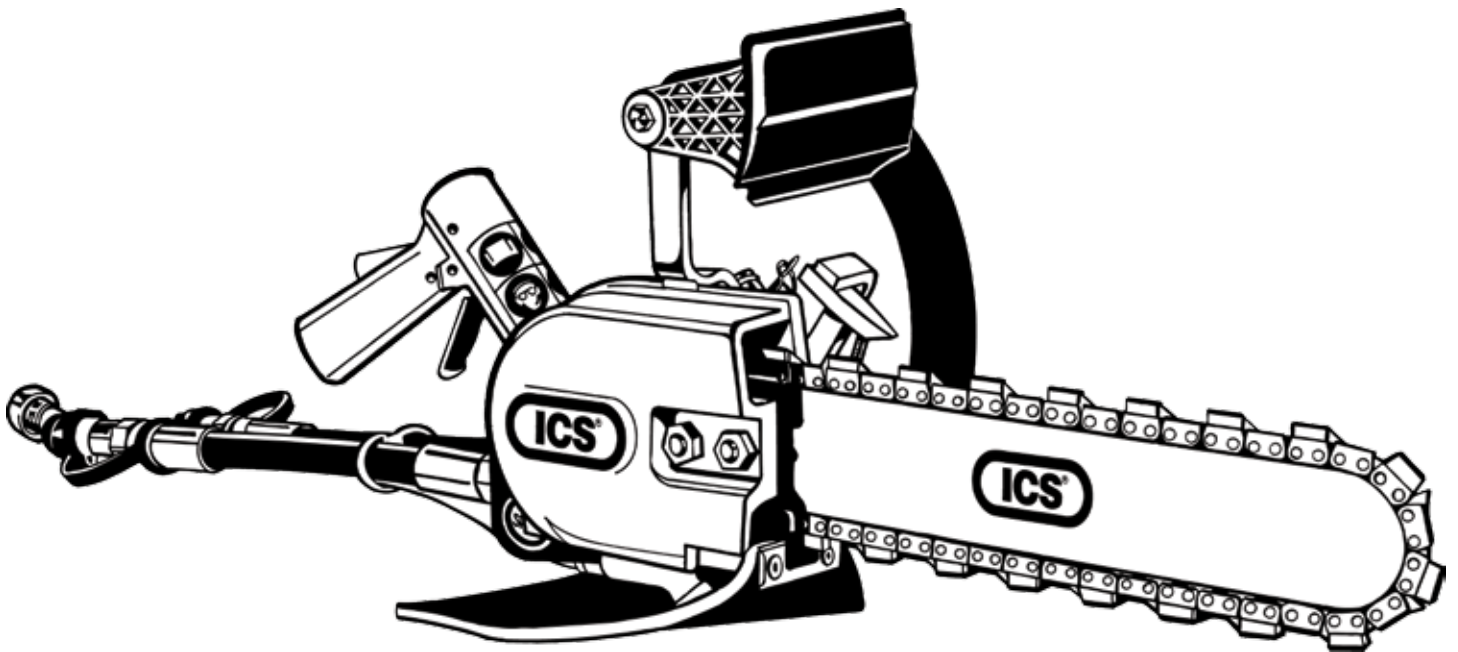




Replacement Parts & Accessories Price List



814PRO Hydraulic Saw

Effective January 1, 2007

© 2007 ICS, Blount Inc.

4909 SE International Way • Portland, OR 97222
T: 800.321.1240 • www.icsbestway.com • F: 503.653.4393

TABLE OF CONTENTS

814PRO Hydraulic Saw

ITEM DESCRIPTION	KEY	PAGE
Saw Packages / Guidebars / Chains		III
814PRO Hydraulic Saw Assembly (Parts 1-49)	A	1-2
814PRO Hydraulic Saw Assembly (Parts 50-101)	A	3-4

Saw Packages / Bars / Chains

814PRO Hydraulic Saw

Saw Packages & Powerheads

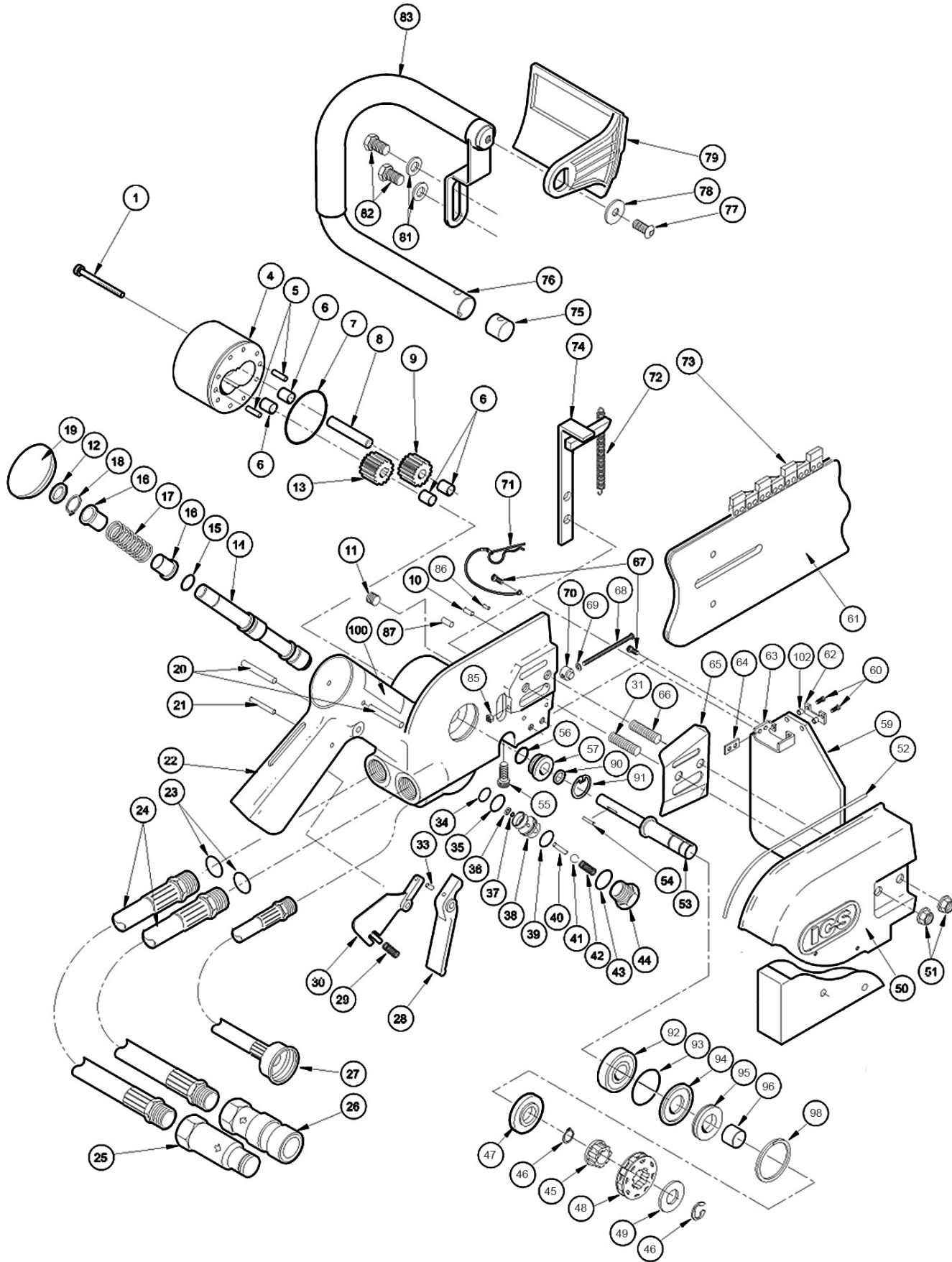
Part No.	Description	MSRP
71675	814PRO-13 Package (8 gpm, w/ 13" Guidebar & TwinPRO-25 Diamond Chain)	\$2,695.00
519359	814PRO-13 Premium Package (8 gpm, w/ 13" Guidebar & PremiumPRO-25 Diamond Chain)	\$2,895.00
75256	814PRO Hydraulic Powerhead (8 gpm)	\$2,200.00

Guidebars & Diamond Chains

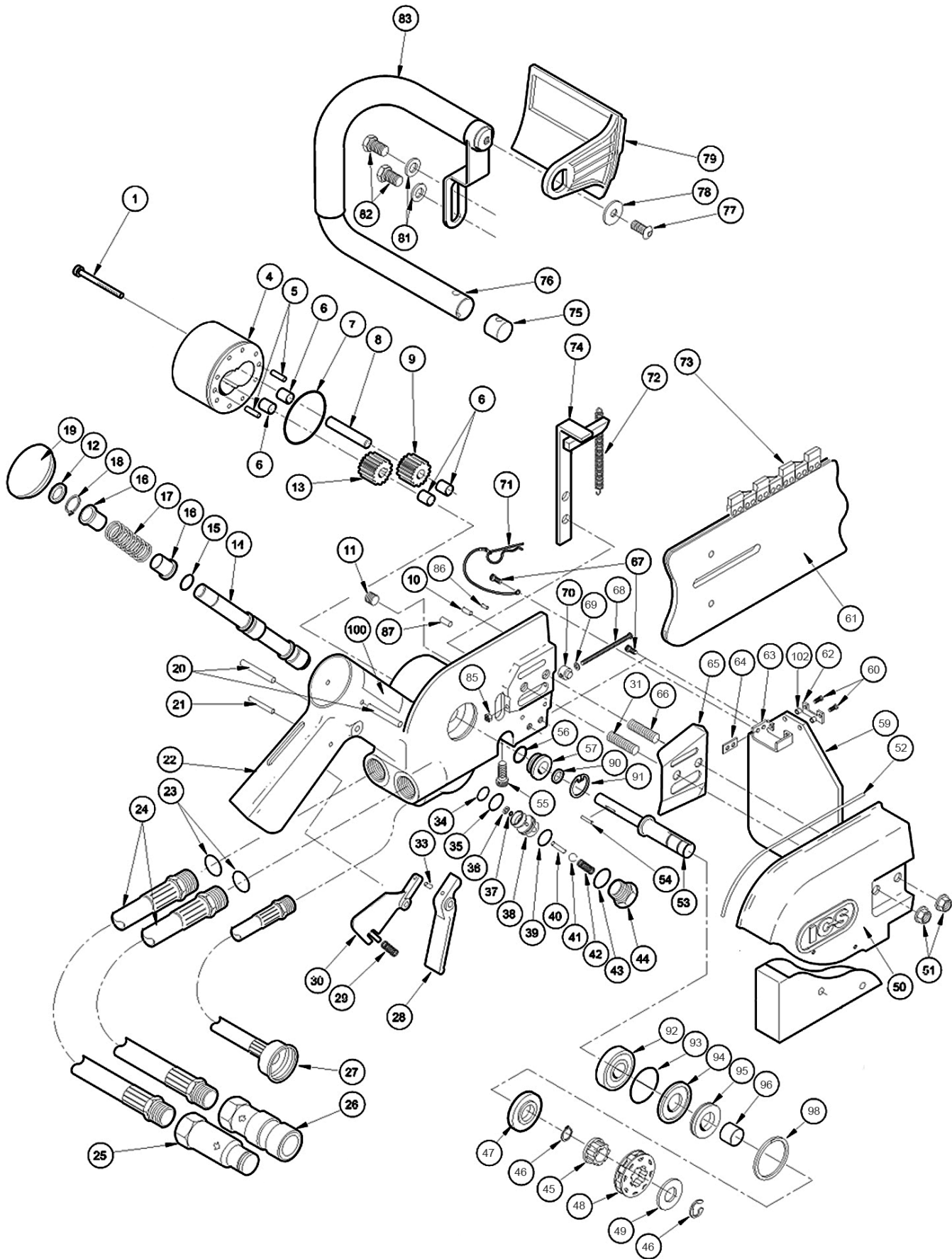
Part No.	Description	MSRP
74042	13" Guidebar (fits 814 PRO)	\$160.00
74719	TwinPRO-25	\$585.00
74713	PremiumPRO-25	\$695.00
70717	AbrasivePRO-25	\$555.00
74700	SoftPRO-25	\$345.00
70724	CornerPRO-25	\$695.00

Service Kits

Part No.	Description	MSRP
71152	Tensioning Scrench, Hydraulic Saws	\$7.00
71944	Water Valve Seal Kit (Includes: 34,35,37,39,43)	\$27.50
71945	Motor Shaft Seal Kit (Includes: 7,56,90,91,93,95)	\$77.50
74061	Chain Tensioning Assembly (Includes: 68,69,70,85)	\$39.50
74510	814PRO Bar Nose Repair Kit	\$28.00
75260	814 Rim Sprocket Upgrade Kit	\$275.00



Key #	Part No.	Description	MSRP
1	74514	HSH Cap Screw 10-24 x 1 1/4	\$2.00
4	74515	Rear Gear Housing Assembly	\$180.00
5	74516	Dowl Pin	\$2.00
6	74517	Bushing (4)	\$16.00
7	74518	O-Ring	\$2.25
8	74519	Idler Shaft	\$29.50
9	74520	Idler Gear	\$105.00
10	74021	Wallwalker Pivot Pin	\$22.00
11	74597	1/8 NPT Plug	\$7.00
12	74596	Wiper Seal	\$45.00
13	74522	Drive Gear (with Keyway)	\$125.00
14	74523	On-Off Valve	\$89.00
15	74524	Hydraulic Valve Seal	\$3.75
16	74525	Spring Washer	\$16.50
17	74526	Spring	\$18.50
18	74527	Retaining Ring 1/2 External	\$2.75
19	74528	Plug Button	\$2.85
20	74529	Roll Pin	\$1.85
21	74530	Roll Pin	\$1.85
22	74531	Valve Handle Assy (Includes: 31, 66)	\$695.00
23	74532	O-Ring	\$0.75
24	74533	Pigtail Hose Assembly	\$37.50
25	74534	1/2" Flush Face Coupler (M)	\$36.50
26	74535	1/2" Flush Face Coupler (F)	\$67.50
27	74536	Water Hose Assembly	\$59.00
28	74537	Trigger	\$45.00
29	74538	Spring Washer	\$2.50
30	74539	Safety Catch (Trigger Lock-Out)	\$46.50
31	74540	Rear Stud	\$45.00
33	74542	Roll Pin	\$1.85
34	74543	O-Ring	\$1.95
35	74544	O-Ring	\$3.50
36	74545	Self Locking Retaining Ring	\$4.50
37	74546	O-Ring	\$2.50
38	74547	Water Valve Sleeve	\$122.50
39	74548	O-Ring	\$2.50
40	74549	Pin	\$42.50
41	74550	Steel Ball	\$2.50
42	74551	Spring	\$4.50
43	74552	O-Ring	\$1.85
44	74553	Seal Cap	\$46.50
45	71386	Splined Sprocket Adaptor	\$55.00
46	71384	External Shaft Retaining Ring	\$6.00
47	74497	Seal Spacer	\$29.50
48	71385	Rim Sprocket	\$10.00
49	71388	Tabbed Washer	\$10.50



Key #	Part No.	Description	MSRP
50	71940	Side Cover Replacement Kit	\$175.00
51	74558	Flange Nut (M10)	\$2.50
52	74559	Sprocket Side Cover Seal	\$15.50
53	71383	814PRO Motor Shaft Replacement	\$140.00
54	74561	Needle Roller	\$5.50
55	74562	HSH Cap Screw 5/15-18 x 3/4	\$1.85
56	74563	Shaft Seal	\$3.00
57	74564	Seal Back Up Washer	\$35.00
59	74591	Guard Flap Assembly	\$35.00
63	74566	Guard Flap Mount	\$55.00
64	74567	Spacer	\$46.50
65	74568	Bar Mount Cover Plate	\$42.50
66	74569	Front Stud	\$45.00
67	74570	HSH Cap Screw 1/4-20 x 5/8	\$1.85
68	74571	Machine Screw	\$1.95
69	74572	Stat-O-Seal	\$3.00
70	74573	Bar Adjustment Nut	\$37.50
71	74019	Lanyard Assembly	\$23.50
72	74582	WallWalker Spring	\$12.50
74	74583	WallWalker Arm (w/ Spring)	\$85.00
75	74574	Handle Bar Retainer	\$19.50
76	74575	Handle Bar	\$165.00
77	74584	Guard Mounting Bolt	\$9.50
78	74585	Guard Mounting Washer	\$9.25
79	74586	Front Handguard	\$23.95
81	74576	Washer	\$2.50
82	74577	HH Cap Screw 5/16-18 x 5/8, Zinc	\$1.95
83	74588	Handlebar Grip	\$15.50
85	74579	Nut 1/4-20 HHD LT SST	\$1.95
86	74580	Spiral Pin	\$1.85
87	74581	Spiral Pin	\$1.85
90	74493	Quad-Ring	\$2.50
91	74565	Retaining Ring	\$2.50
92	74554	Shaft Bearing Race	\$105.00
93	74498	O-Ring	\$2.60
94	74495	Seal Washer	\$27.50
95	74494	V-Ring	\$18.50
96	74496	Seal Ring	\$24.50
98	74555	Retaining Ring	\$2.75
101	71384	External Shaft Retaining Ring	\$6.00



**The best way
to cut concrete™**

© 2007 ICS, Blount International Inc.
Supersedes all previous pricing. Specifications and pricing are subject to change without notice.
T: 800.321.1240 • www.icsbestway.com • F: 503.653.4393

REVISION 20061213